



Arlington Street Church
Proposed Ramp
June 6, 2017
Aerial View

H W A



Arlington Street Church
Proposed Ramp
June 6, 2017
View from Sidewalk

HWA



Arlington Street Church
Proposed Ramp
June 6, 2017
View from B.O. Ramp

HWA



Arlington Street Church
Proposed Ramp
June 6, 2017

View from Landing 1

HWA



Arlington Street Church
Proposed Ramp
June 6, 2017

View from Landing 2

H W A



Arlington Street Church
Proposed Ramp
June 6, 2017
View from Landing 3

H W A



Arlington Street Church
Proposed Ramp
June 6, 2017
View from Landing 4 Looking Back

H W A



Arlington Street Church
Proposed Ramp
June 6, 2017
View from Landing 4

H W A



Arlington Street Church
Proposed Ramp
June 6, 2017

View from T.O. Ramp/Stair

HWA

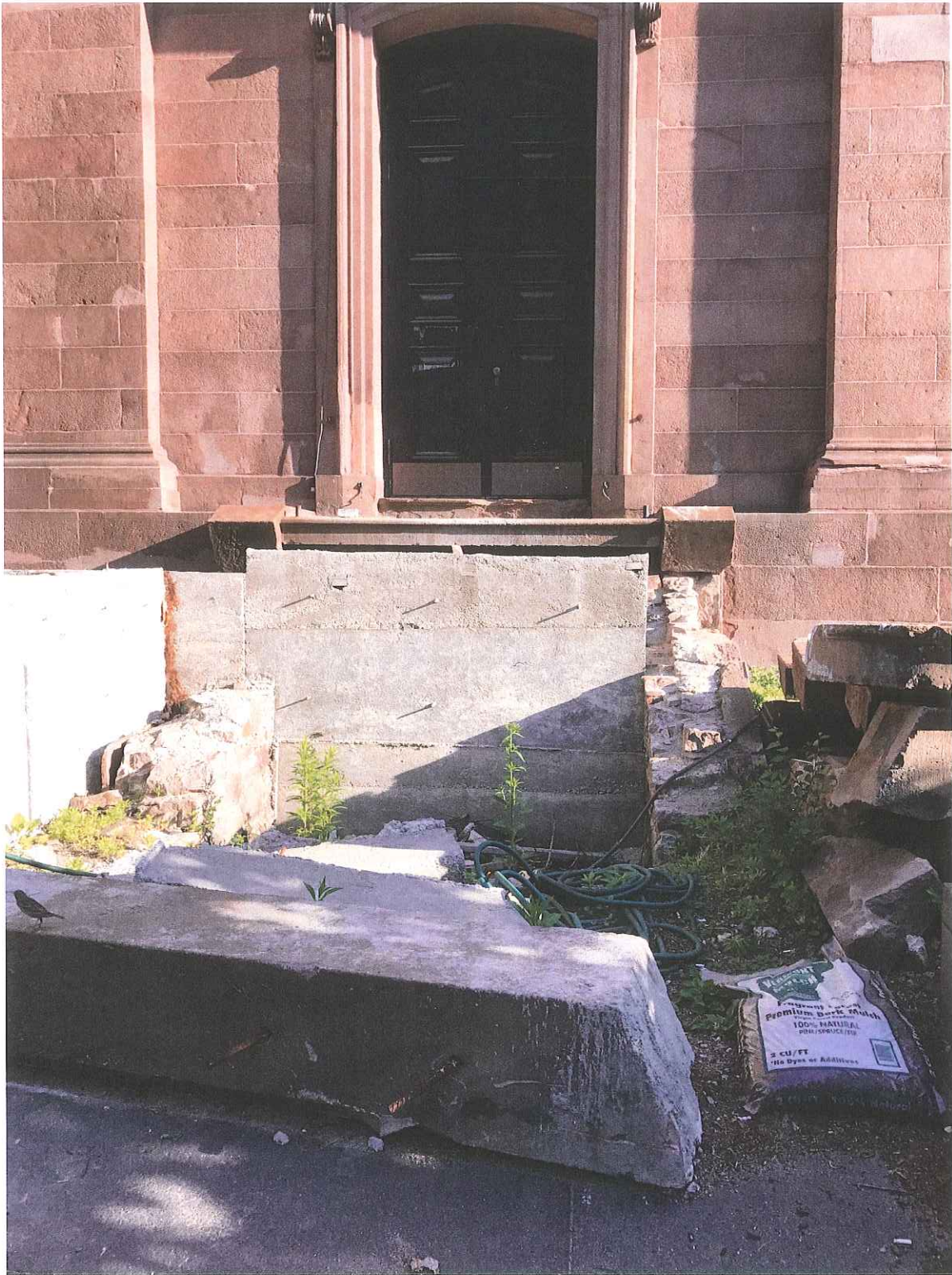
ARLINGTON STREET CHURCH Proposed Access Ramp – EXISTING CONDITIONS



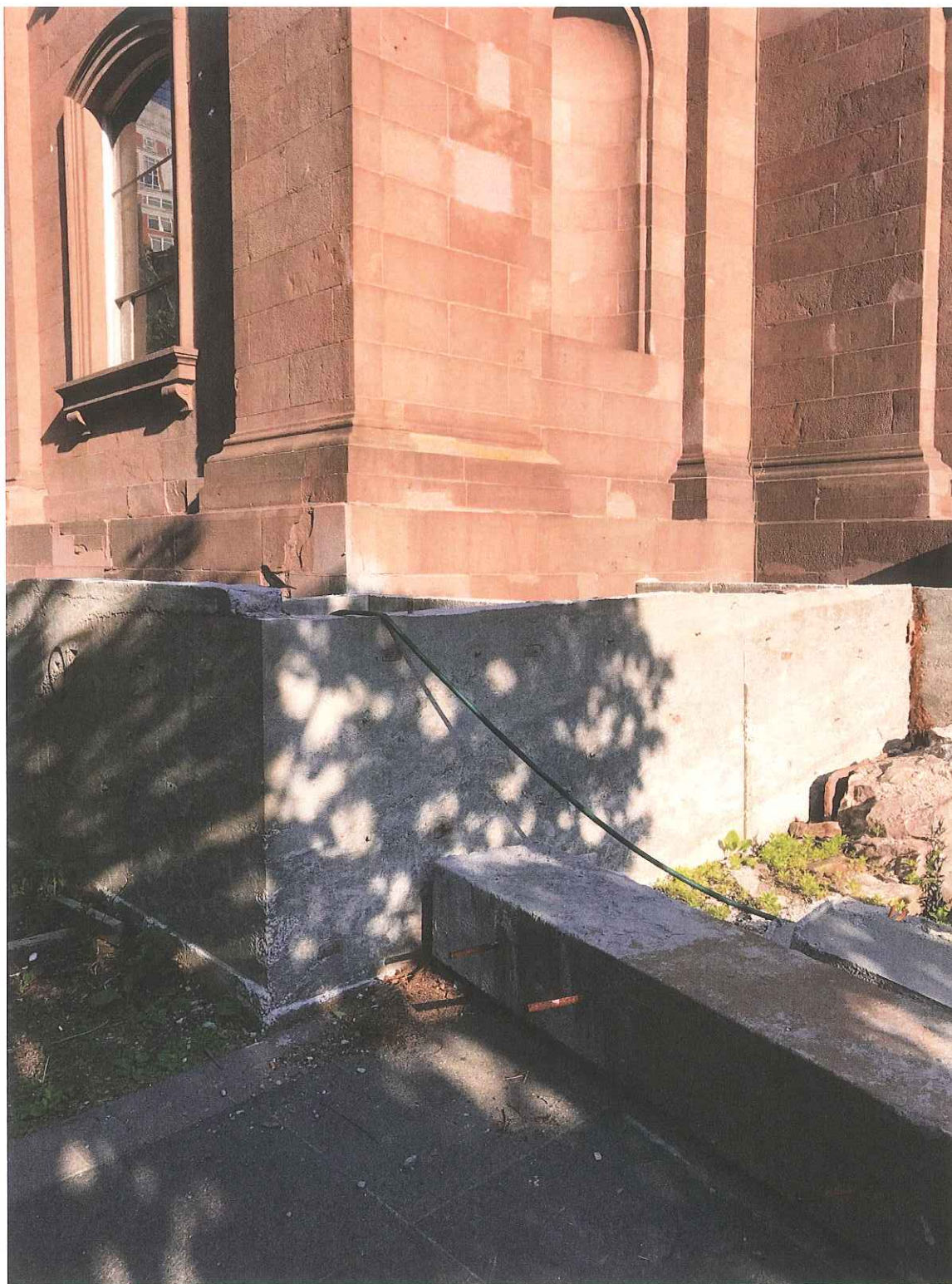
ARLINGTON STREET CHURCH Proposed Access Ramp – EXISTING CONDITIONS



ARLINGTON STREET CHURCH Proposed Access Ramp – EXISTING CONDITIONS



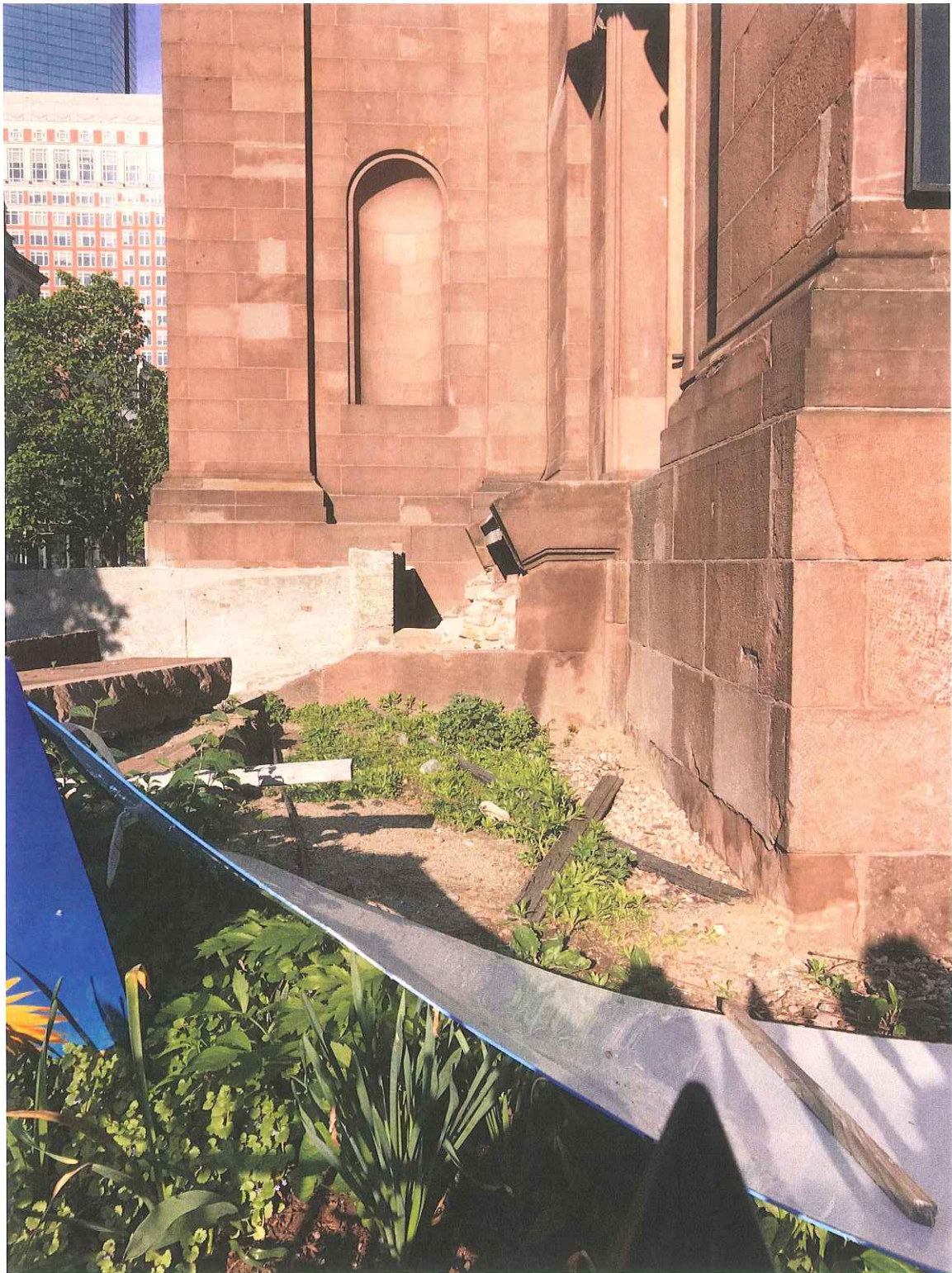
ARLINGTON STREET CHURCH Proposed Access Ramp – EXISTING CONDITIONS



ARLINGTON STREET CHURCH Proposed Access Ramp – EXISTING CONDITIONS



ARLINGTON STREET CHURCH Proposed Access Ramp – EXISTING CONDITIONS



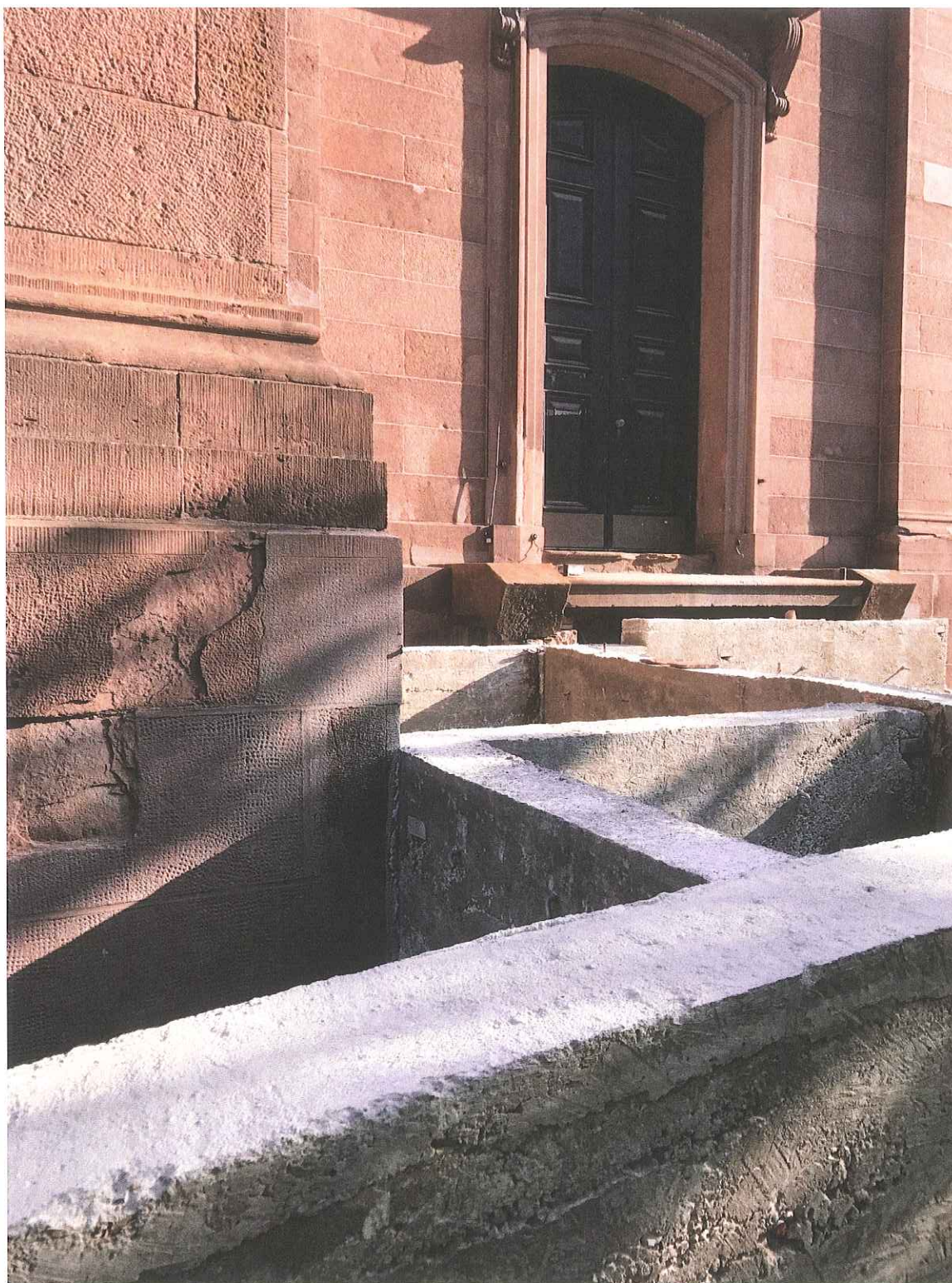
ARLINGTON STREET CHURCH Proposed Access Ramp – EXISTING CONDITIONS



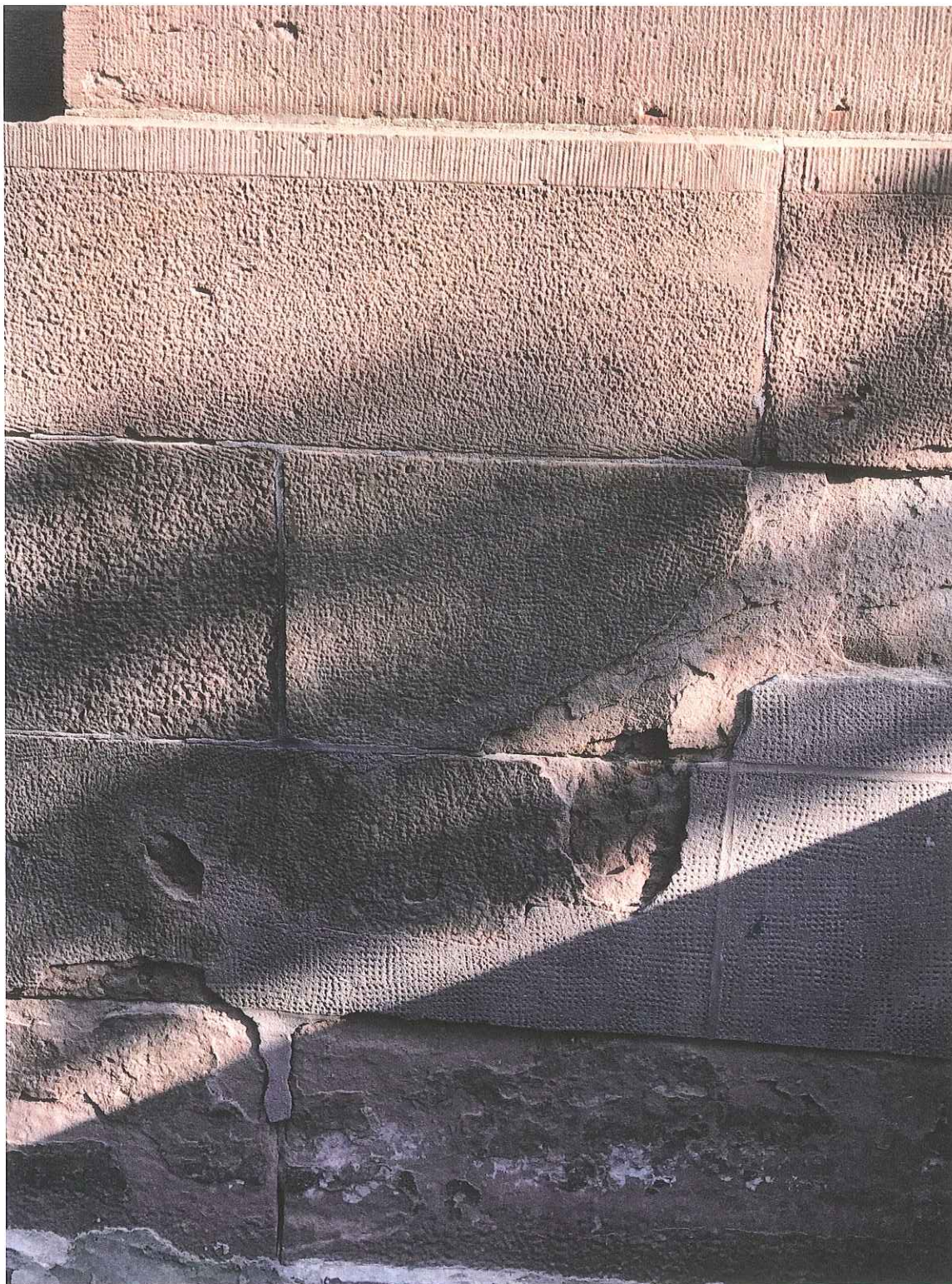
ARLINGTON STREET CHURCH Proposed Access Ramp – EXISTING CONDITIONS



ARLINGTON STREET CHURCH Proposed Access Ramp – EXISTING CONDITIONS



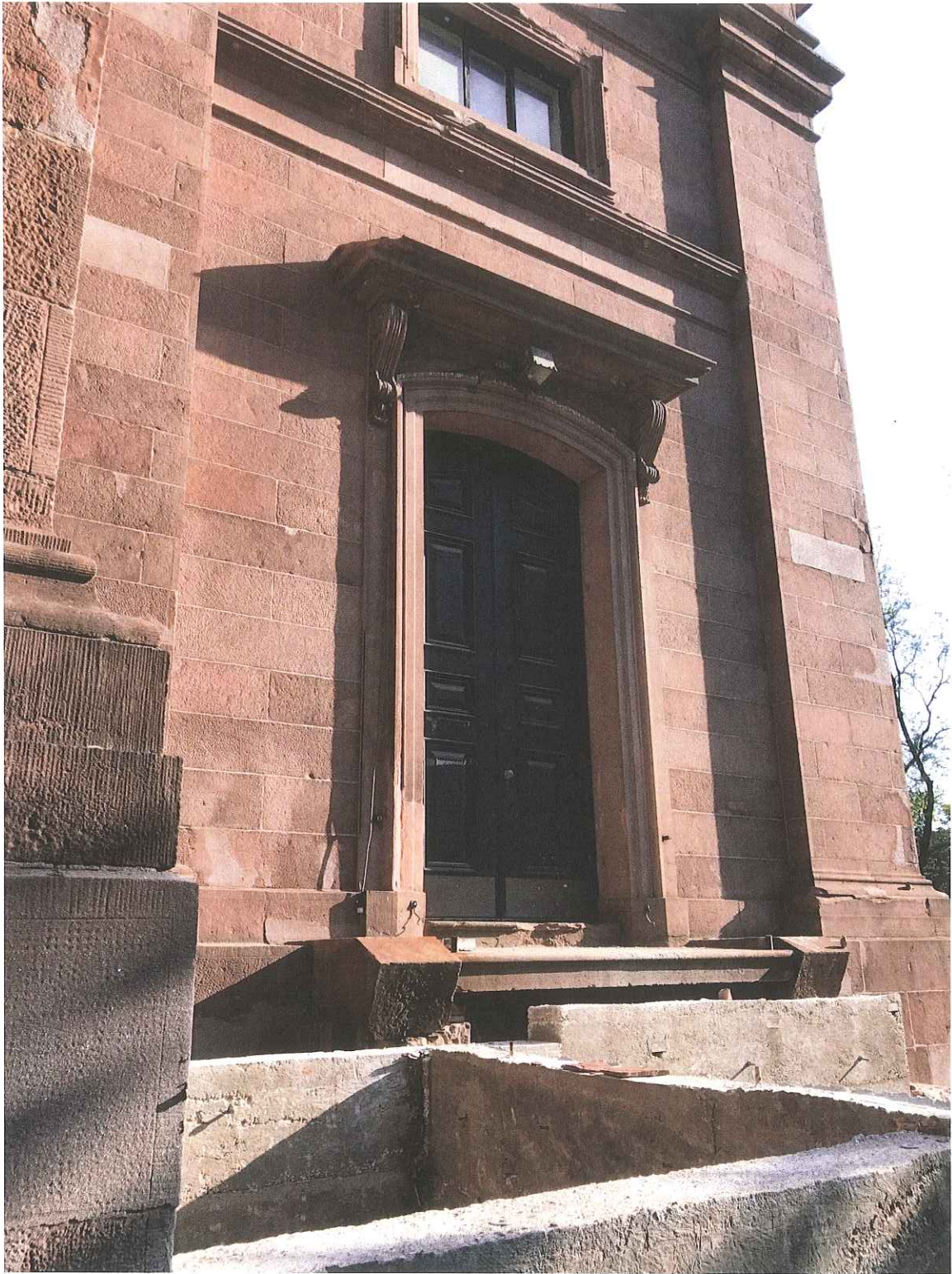
ARLINGTON STREET CHURCH Proposed Access Ramp – EXISTING CONDITIONS



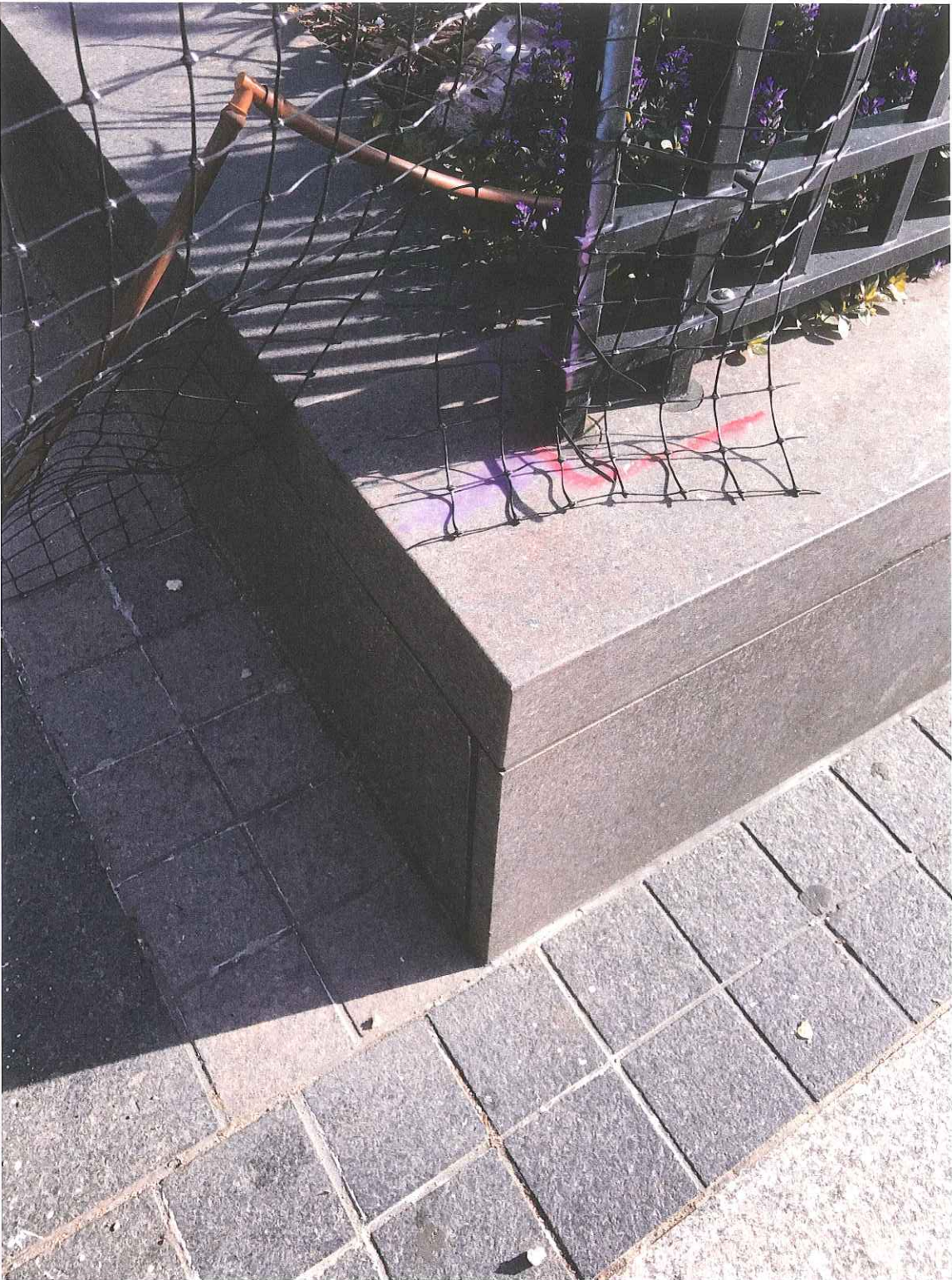
ARLINGTON STREET CHURCH Proposed Access Ramp – EXISTING CONDITIONS



ARLINGTON STREET CHURCH Proposed Access Ramp – EXISTING CONDITIONS



ARLINGTON STREET CHURCH Proposed Access Ramp – EXISTING CONDITIONS



ARLINGTON STREET CHURCH Proposed Access Ramp – EXISTING CONDITIONS



ARLINGTON STREET CHURCH Proposed Access Ramp – EXISTING CONDITIONS



ARLINGTON STREET CHURCH Proposed Access Ramp – EXISTING CONDITIONS



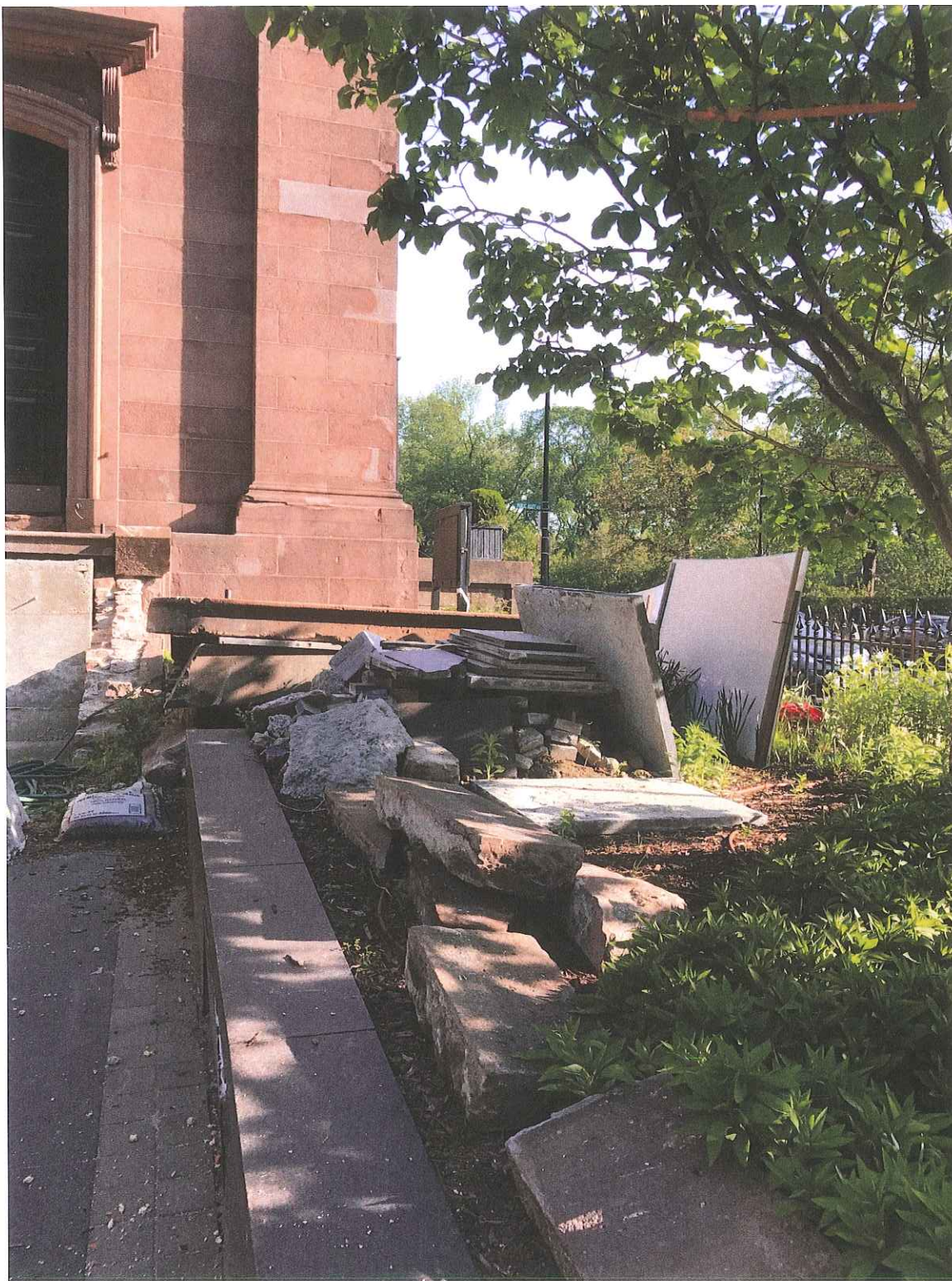
ARLINGTON STREET CHURCH Proposed Access Ramp – EXISTING CONDITIONS



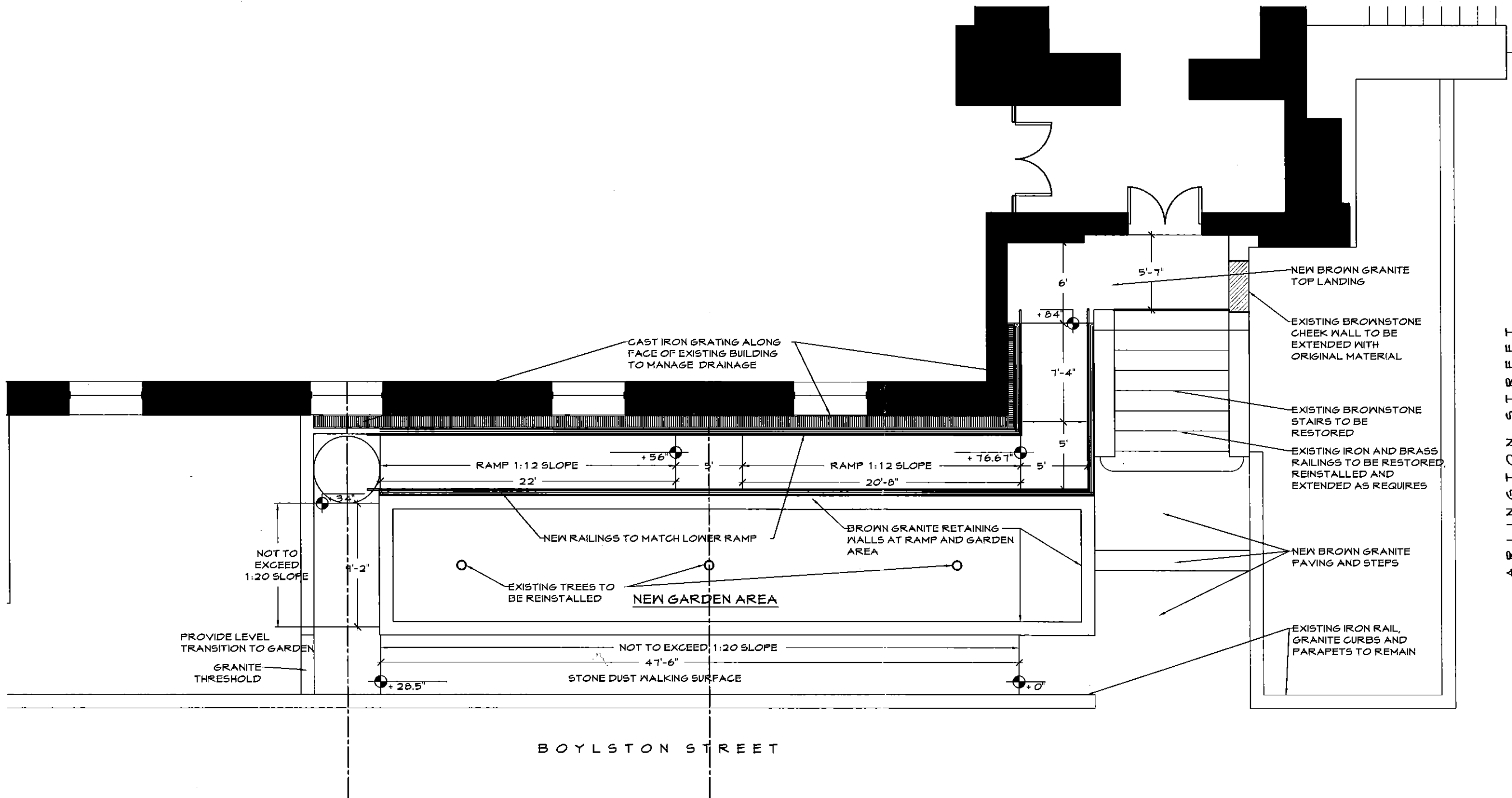
ARLINGTON STREET CHURCH Proposed Access Ramp – EXISTING CONDITIONS



ARLINGTON STREET CHURCH Proposed Access Ramp – EXISTING CONDITIONS



351 BOYLSTON STREET
ARLINGTON STREET CHURCH

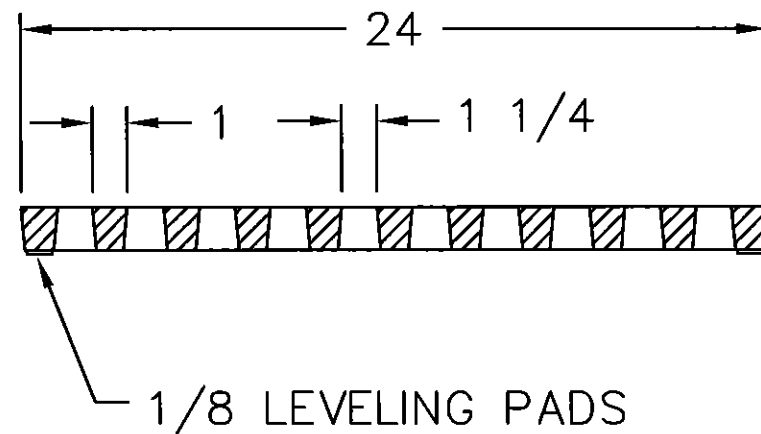
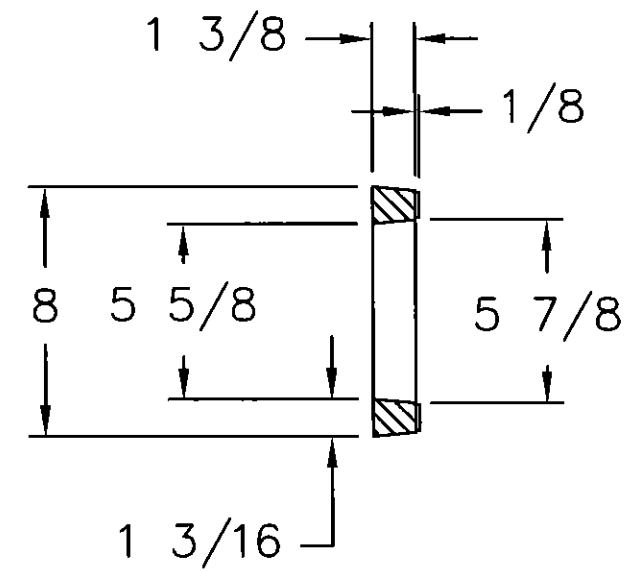
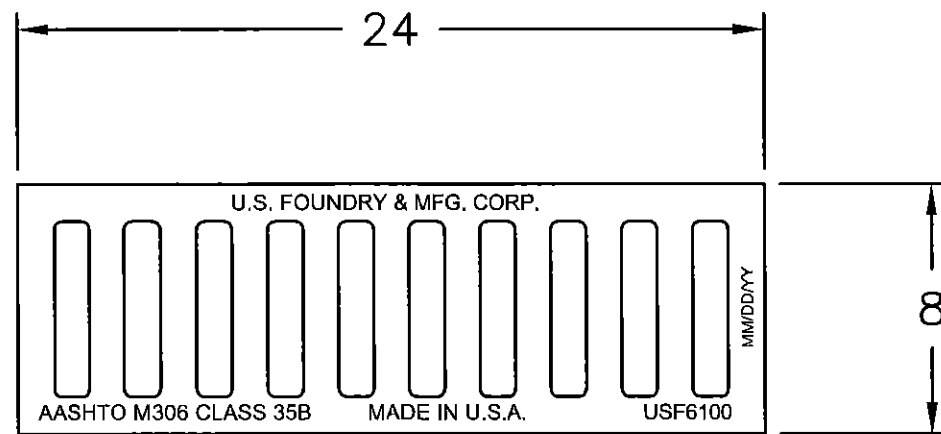



DRAWING NAME:
PLAN OF PROPOSED
NEW RAMP

DATE:
6 JUNE 2017

SCALE:
 $\frac{1}{8}'' = 1'-0''$
0 1 2 4 8

SHEET NUMBER:
A-1



 US FOUNDRY & MFG. CORP. 8351 NW 93rd Street, Medley, FL 33166-2025 ph: 1-800-432-9709; fax: 305-887-9429 www.usfoundry.com © 2010 US Foundry & Mfg. Corp. All Rights Reserved			
USF 6100 GRATE			
LOAD CLASSIFICATION: Heavy Duty			
MATERIAL: ASTM-A48 GRAY IRON CLASS35B			
	WGHT:		SCALE: 1/8"=1"
Grate No:	8070044	40	DATE: 02-19-03
			DWN. BY: ULS
UNLESS OTHERWISE NOTED WEIGHT IS IN POUNDS AND APPROXIMATED			
REV:	DATE:	REV BY:	QUOTE#