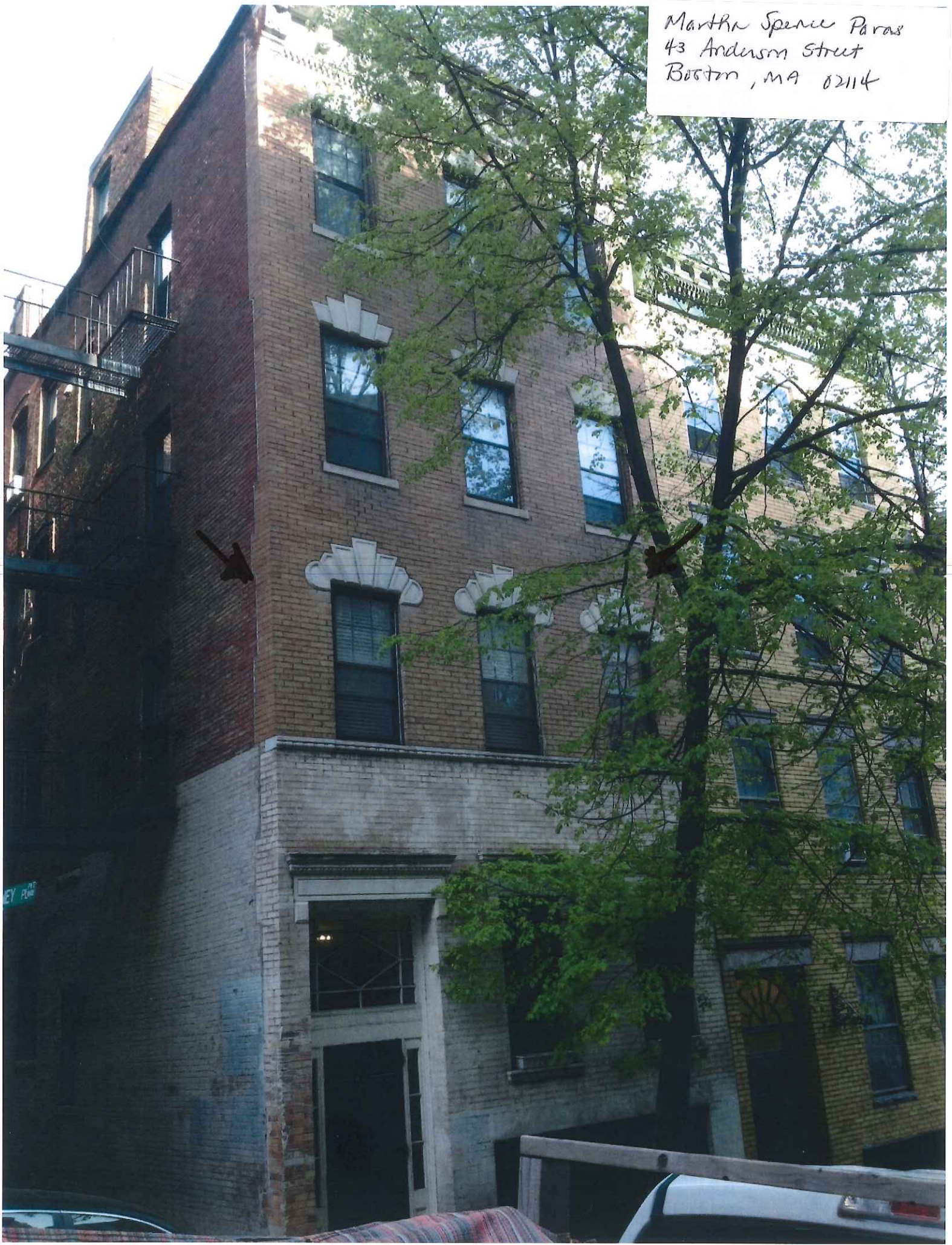


Martha Spence Paras
43 Anderson Street
Boston, MA 02114



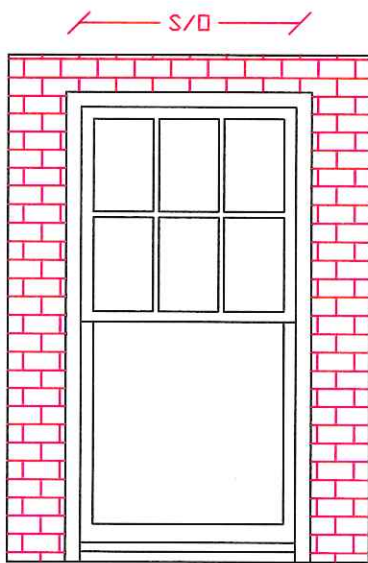
Martin Spence Paras
43 Anderson Street
Boston, MA 02114



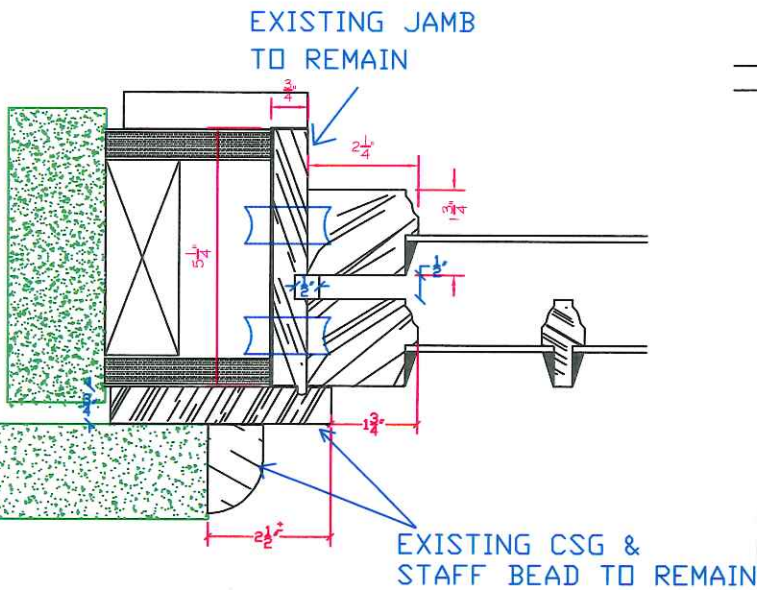
Martha Speare Paras
43 Anderson Street
Boston, MA 02114



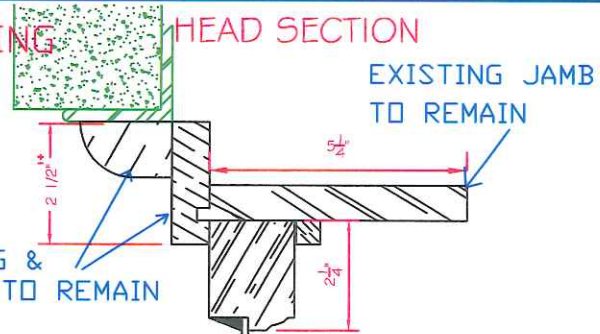
SSB WT & CHORD SASH - EXISTING CONDITIONS DRAWING



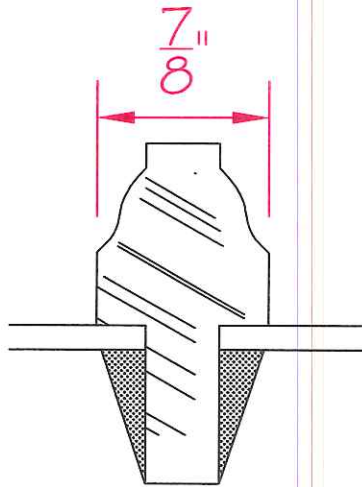
S/D



EXISTING CSG & STAFF BEAD TO REMAIN

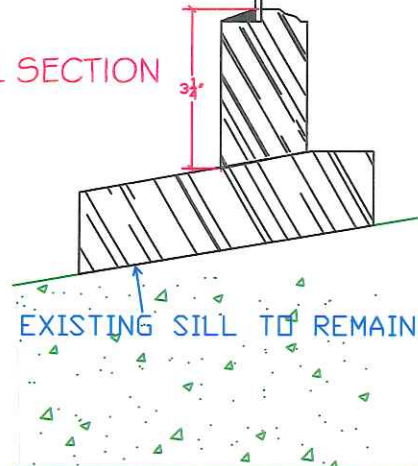


HEAD SECTION



T.D.L. BAR
FULL SCALE

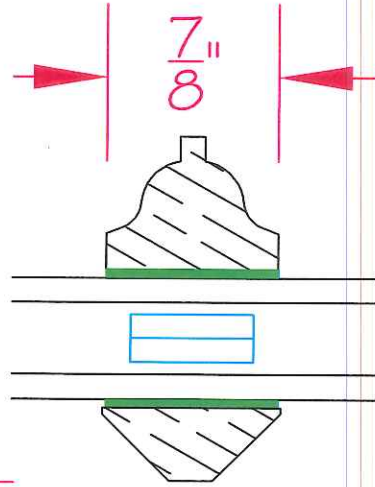
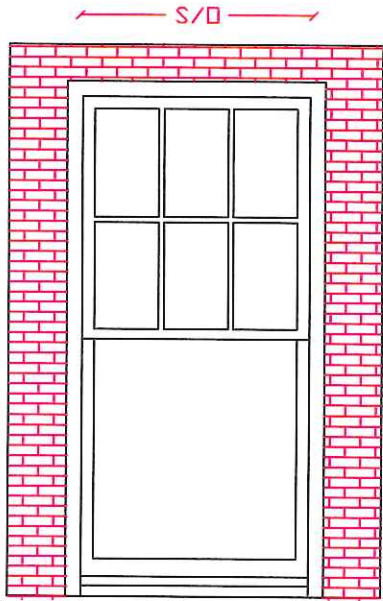
SILL SECTION



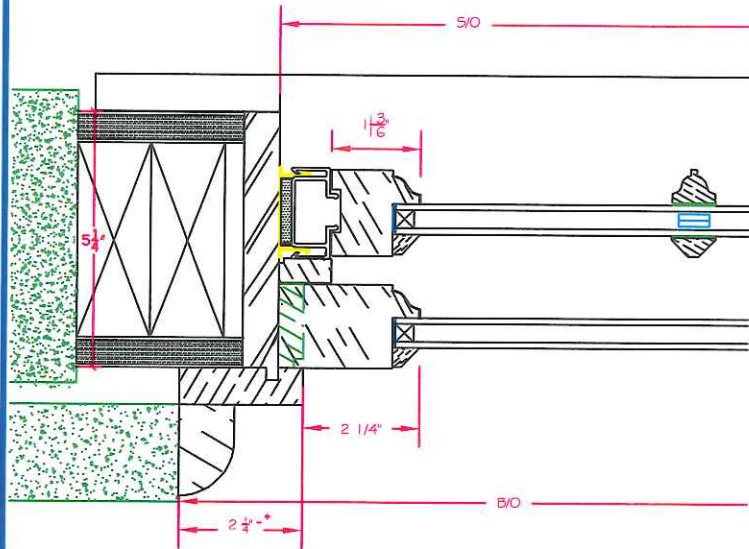
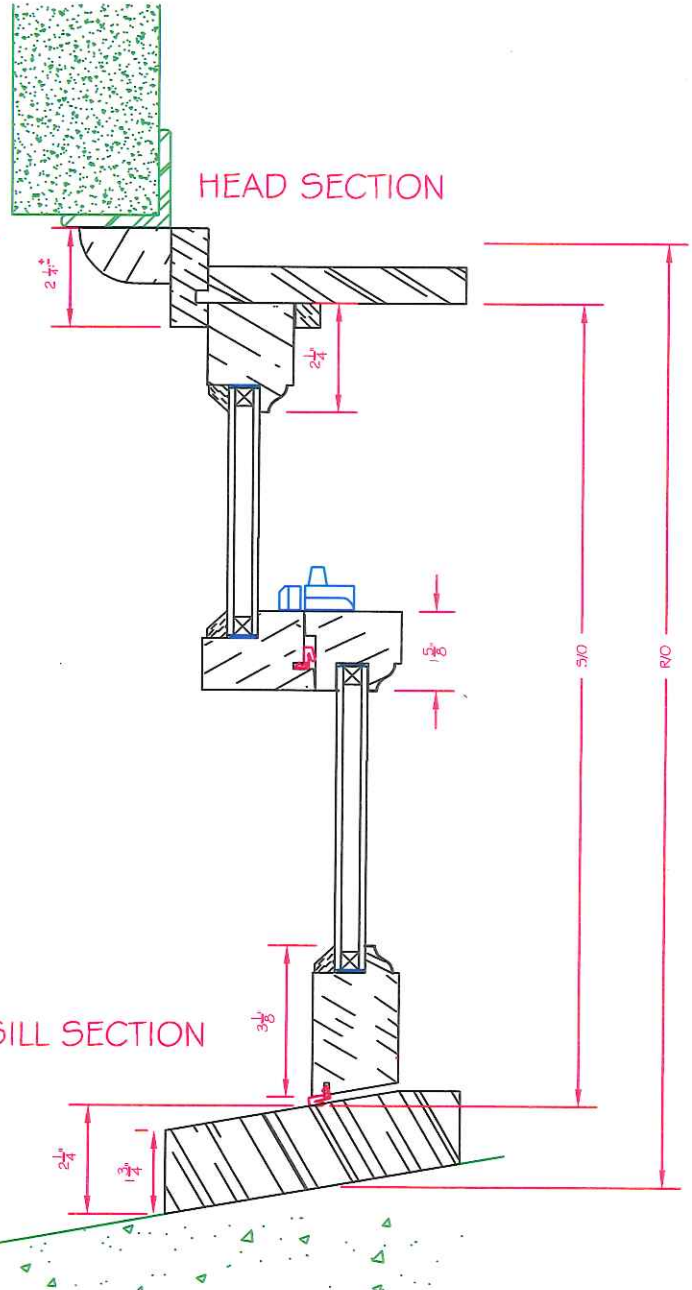
Martha Spence Paras
43 Anderson Street
Boston, MA 02114

Martha Spence Parts
 43 Andrew Street
 Boston, MA 02114

JB PROPER BOSTONIAN SH WINDOW UNIT



S.D.L. BAR
 FULL SCALE



JAMB SECTION

JBPB SH - 6/1 SDL

DEALER: JB SASH & DOOR CO., INC.
 NUMBER: DATE: 06/14/16
 DRAWN: R.L.B. CHECK: