



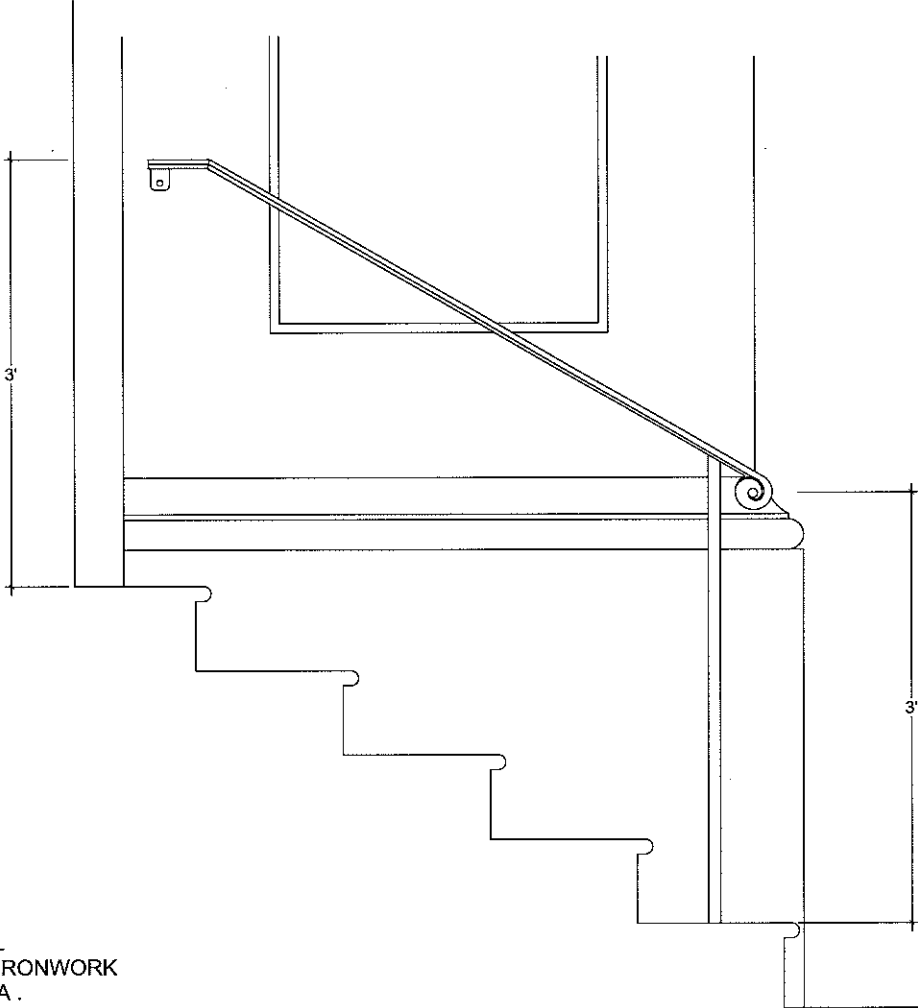
16





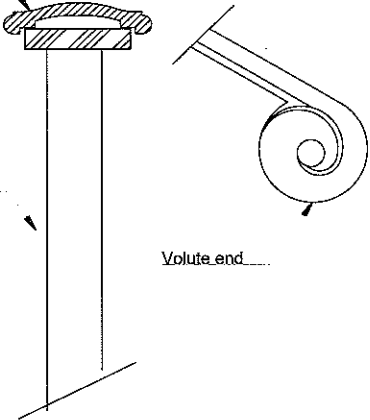


SECTION DETAIL #1.



1.3/4" wide handrail
Brass

1" Sq bar solid



Volute end.....

WOVENSTEEL
DISTINCTIVE IRONWORK
E. BOSTON MA .
617.567.5166

4/16/16
PROJECT: 58 Beacon St.
CLIENT: DH Bardes Const.
JOB: Front Rail
#1.