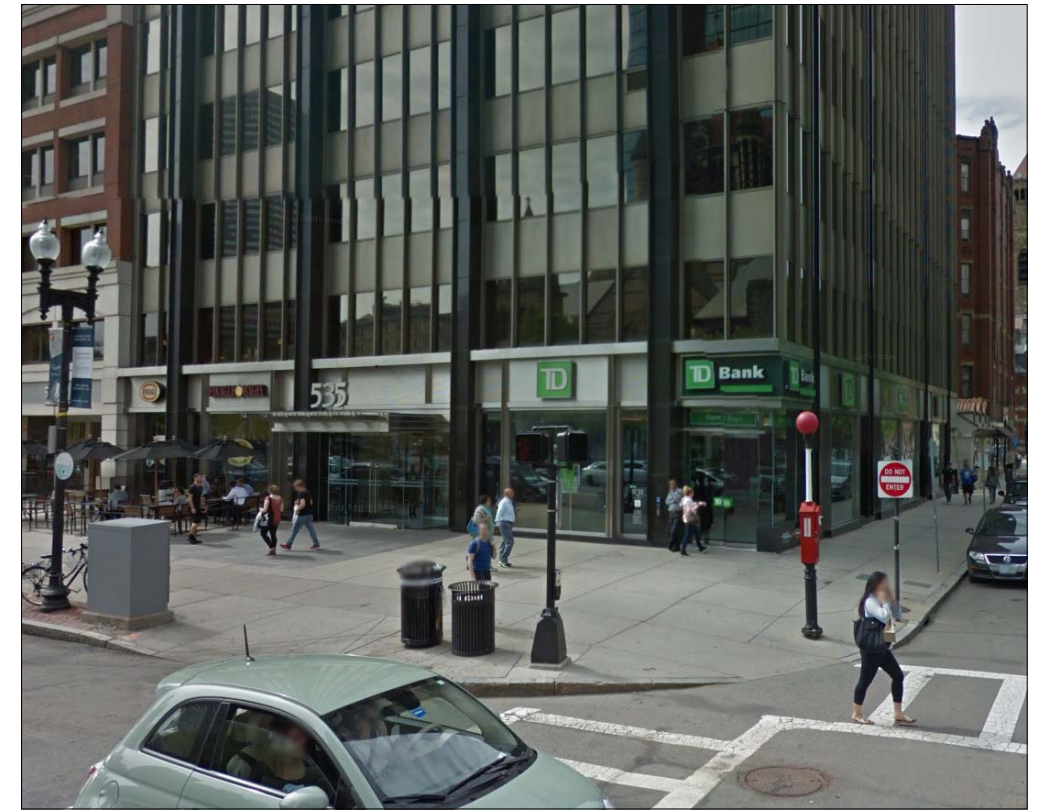




Bank

TD BANK

535 Boylston Street
Boston, MA

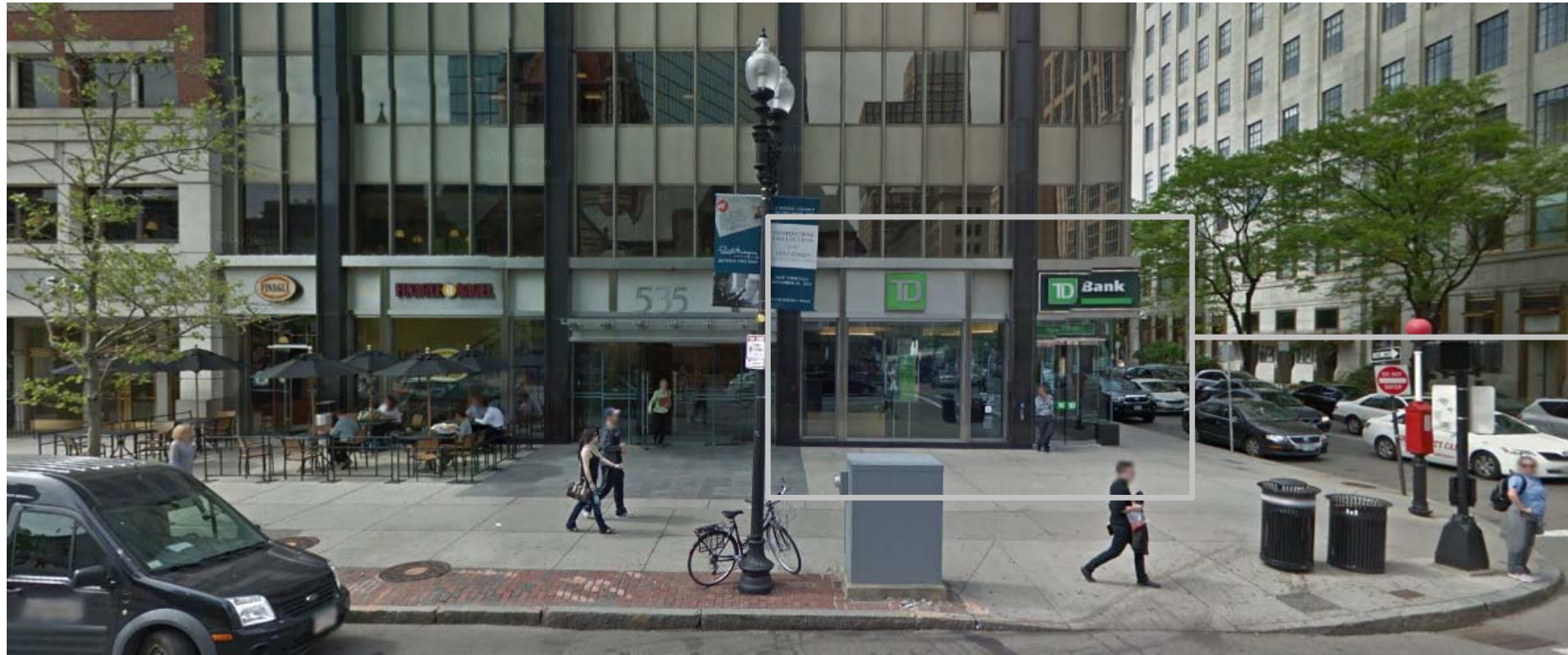


TD BANK

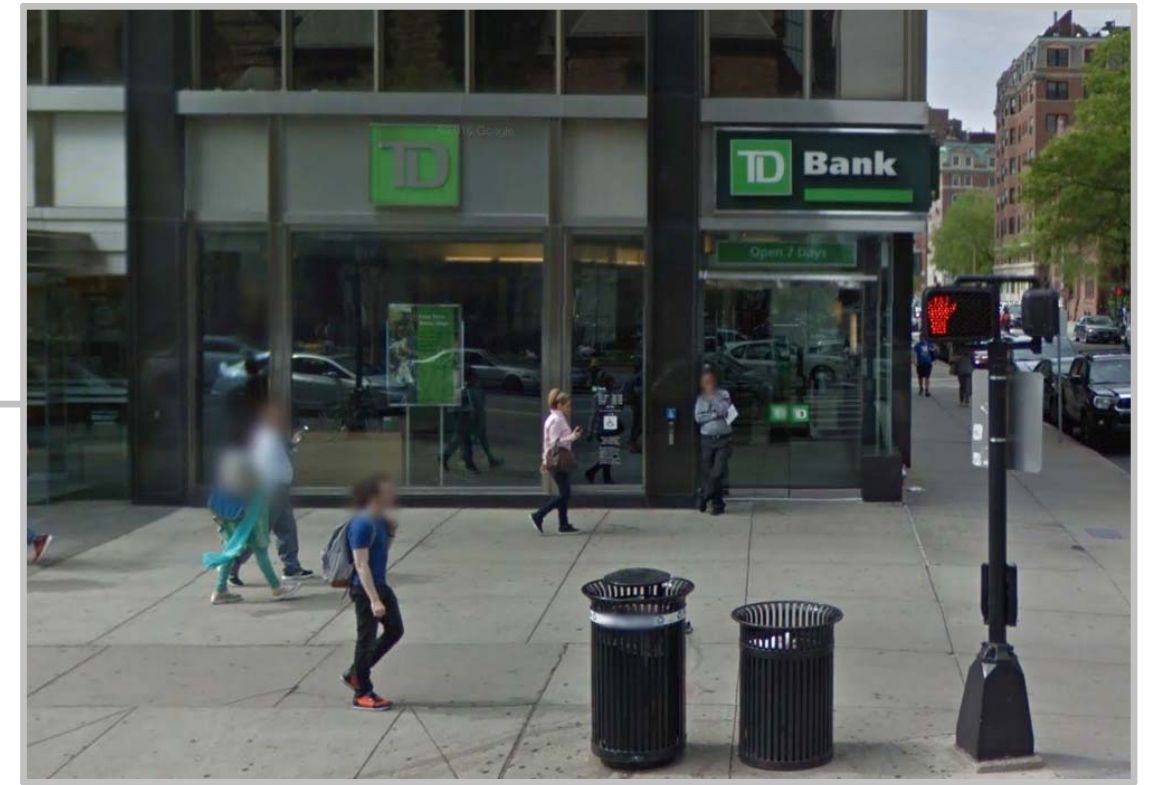
535 Boylston Street
Boston, MA

Bergmeyer

Bergmeyer Associates, Inc.
51 Sleeper Street
Boston, MA 02210
Phone 617 542 1025
Fax 617 542 1026



VIEW OF BOYLSTON STREET



CLOSE-UP OF TD BANK



TD BANK

535 Boylston Street
Boston, MA

Bergmeyer

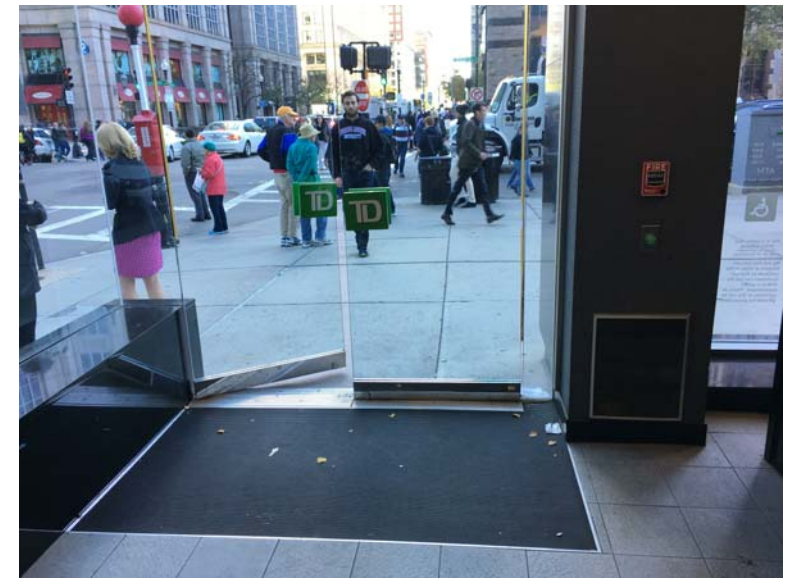
Bergmeyer Associates, Inc.
51 Sleeper Street
Boston, MA 02210
Phone 617 542 1025
Fax 617 542 1026



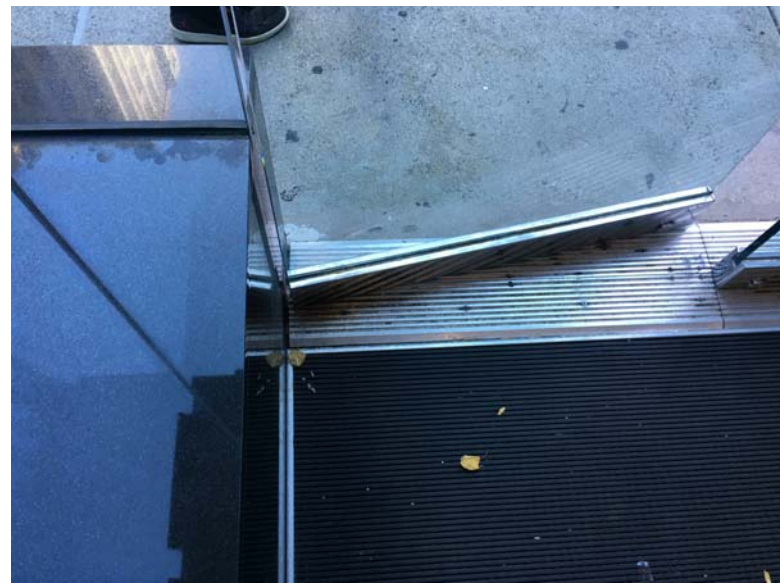
1 ENTRANCE ON CORNER



2 DOOR HEADER



3 ENTRY VESTIBULE MAT



4 DOOR SILL WITH RECESSED CLOSURE



5 ALL GLASS STOREFRONT



6 ENTRY VESTIBULE CEILING

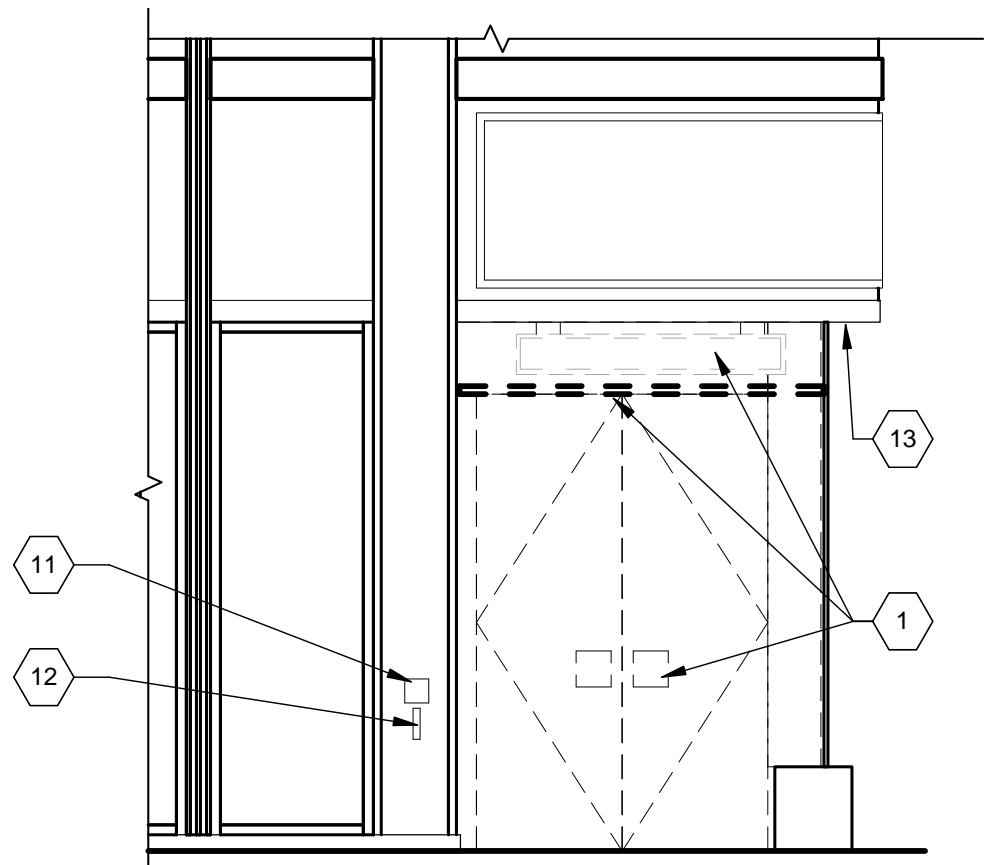


TD BANK

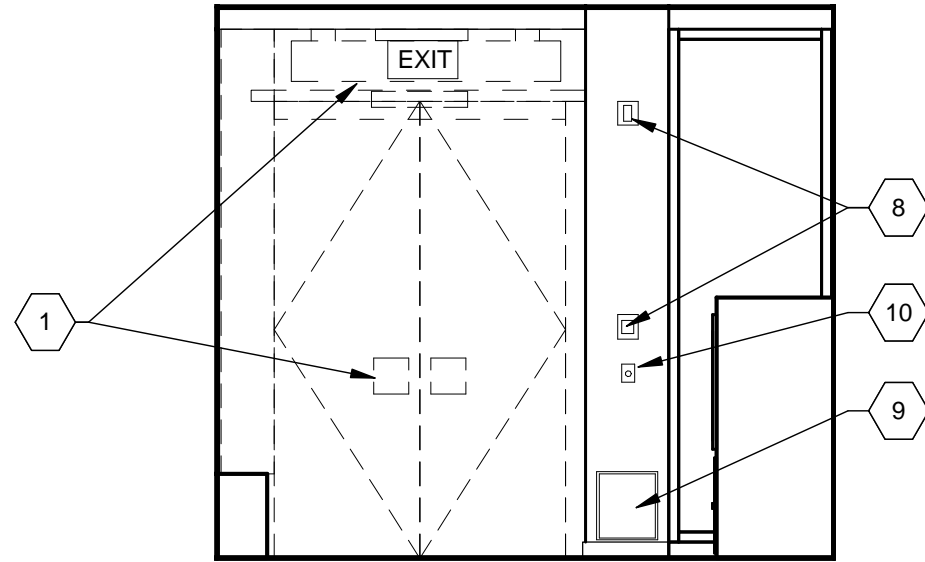
535 Boylston Street
Boston, MA

Bergmeyer

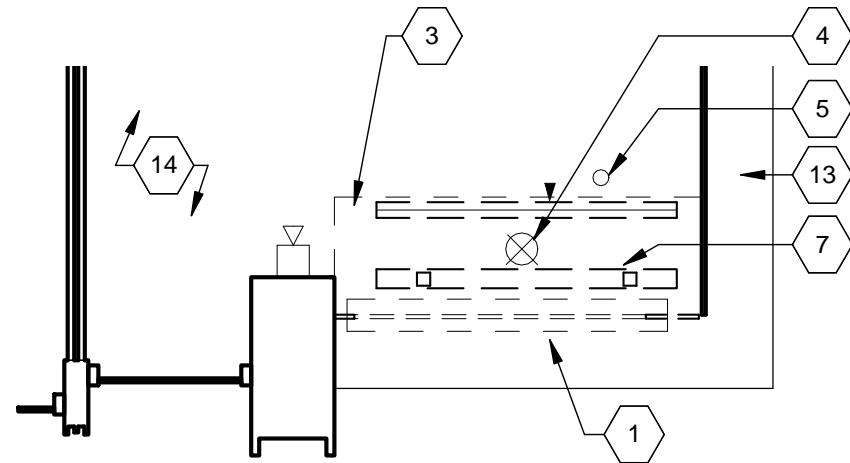
Bergmeyer Associates, Inc.
51 Sleeper Street
Boston, MA 02210
Phone 617 542 1025
Fax 617 542 1026



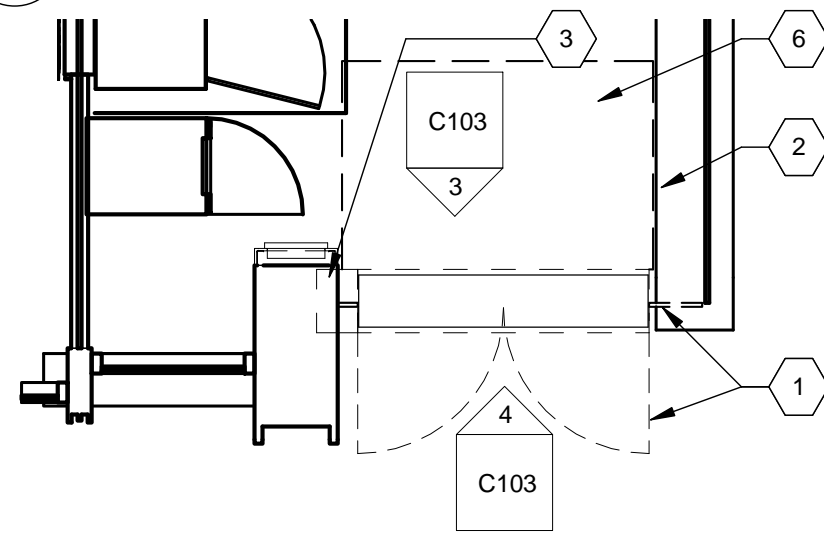
4 DEMO ENTRY EXTERIOR ELEVATION
1/4" = 1'-0"



3 DEMO INTERIOR ELEVATION
1/4" = 1'-0"



2 DEMO REFLECTED CEILING PLAN
1/4" = 1'-0"

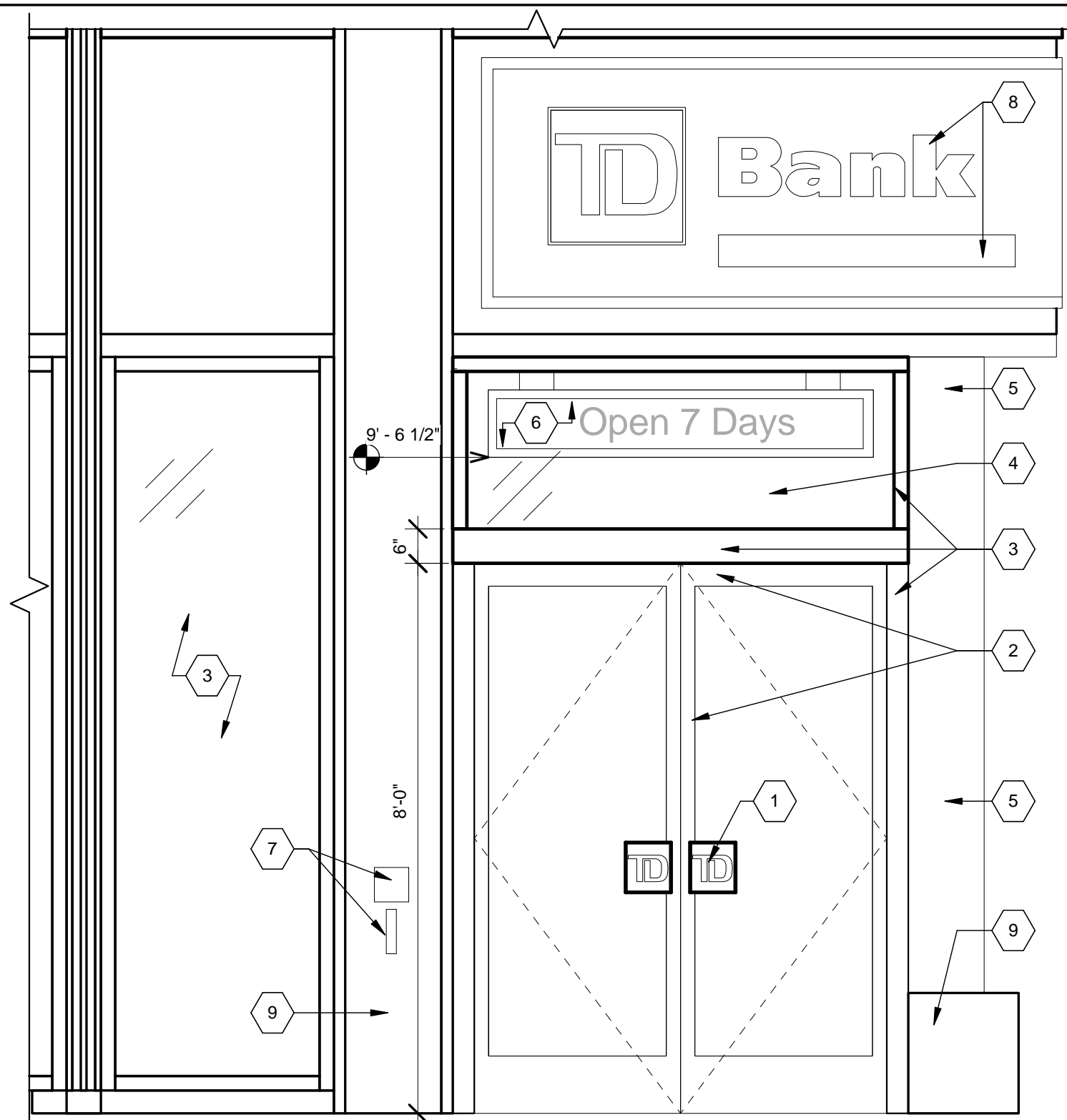


1 DEMO ENTRY PLAN
1/4" = 1'-0"

DEMO KEYNOTES

1	REMOVE ENTIRE DOUBLE GLASS DOORS WITH TD PULLS, FLOATING HEADER WITH MAG-LOCK AND MOTION SENSOR, TRANSMOM GLASS & SIDELIGHT
2	REMOVE ALUMINIUM SILL, FLOOR CLOSER AND AUTO-OPERATOR
3	REMOVE AREA OF VESTIBULE CEILING AND AC LINEAR DIFFUSER/BRANCH DUCT, FOR RECESSED AIR HEAT CURTAIN
4	REMOVE EXIT LIGHT AND SAVE FOR REINSTALLATION
5	REPOSITION SPRINKLER HEAD
6	REMOVE SCRAPER MAT
7	REMOVE ILLUMINATED TRANSMOM SIGN AND SAVE FOR REINSTALLATION
8	EXISTING FIRE ALARM HORN/STROBE AND PULL
9	EXISTING BASE HEATER
10	EXISTING REX BUTTON
11	EXISTING ACCUATOR BUTTON
12	EXISTING CARD READER
13	EXISTING STAINLESS STEEL SOFFIT
14	EXISTING GYP. BOARD CEILING

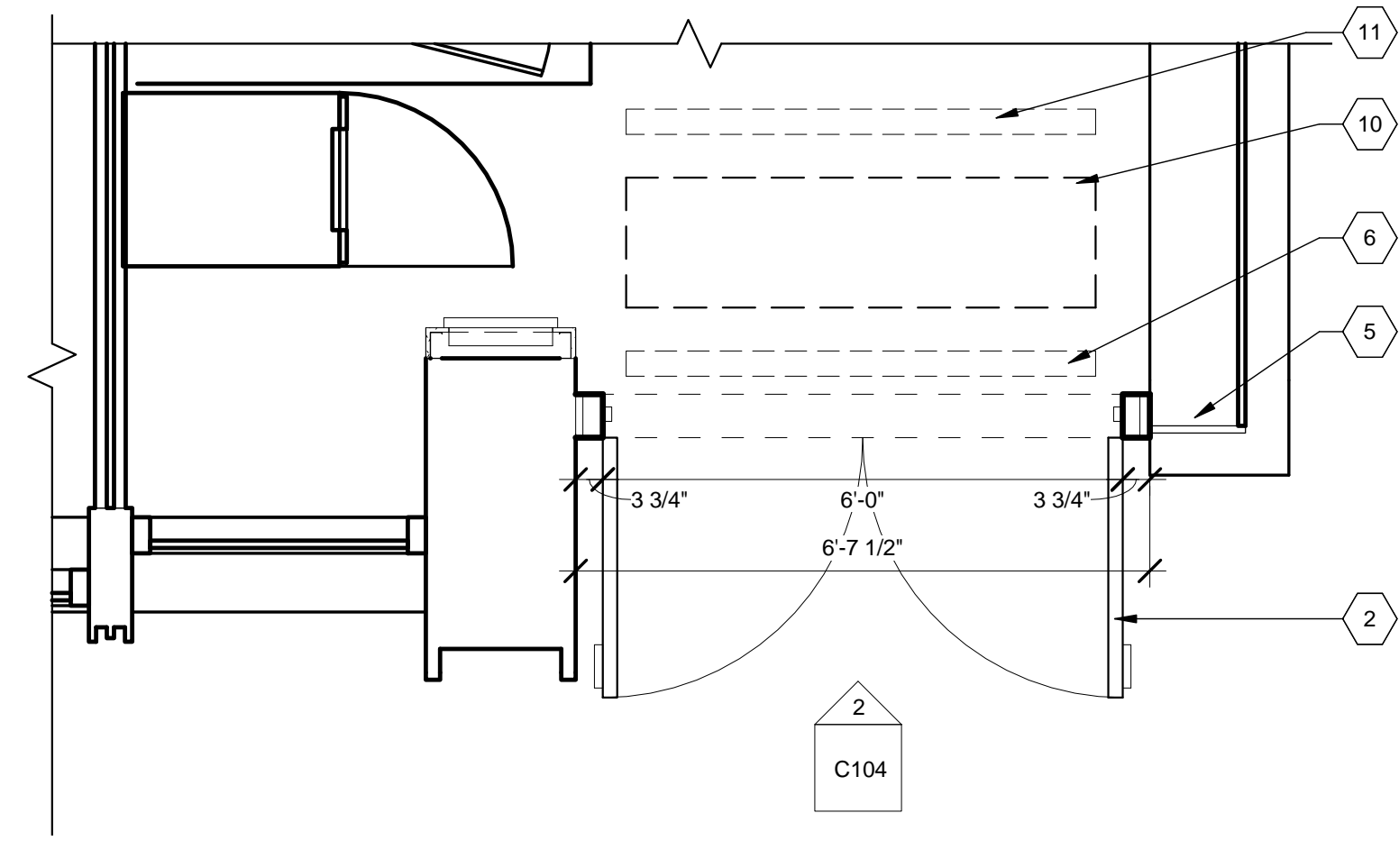




2 PROPOSED EXTERIOR ELEVATION
1/2" = 1'-0"

PROPOSED KEY NOTES	
1	REPLACEMENT DOOR PULLS
2	NEW STAINLESS STEEL CLAD FRAME INSULATED GLASS DOORS KAWNEER 1600 CURTAINWALL SYSTEM WITH TD DOOR PULLS ON CONTINUOUS HINGES WITH HEAD CONCEALED AUTO-OPERATOR/POWER ASSIST CLOSER
3	NEW STAINLESS STEEL WINDOW SYSTEM
4	NEW 1" INSULATED GLASS TRANSOM
5	NEW 3/4" SIDE LIGHT IN EXISTING CHANNELS

PROPOSED KEY NOTES	
6	REINSTALL TRANSOM SIGN ABOVE
7	REPLACE ATM CARD READER AND DOOR ACTUATOR
8	EXISTING BUILDING ILLUMINATED SIGN. NO CHANGE
9	EXISTING GRANITE
10	NEW OVERHEAD HEAT CURTAIN ABOVE
11	RELOCATED LINEAR DIFFUSER ABOVE



1 PROPOSED FIRST FLOOR
1/2" = 1'-0"



TD BANK
535 Boylston Street
Boston, MA

Bergmeyer
Bergmeyer Associates, Inc.
51 Sleeper Street
Boston, MA 02210
Phone 617 542 1025
Fax 617 542 1026



EXISTING STOREFRONT



RENDERING OF PROPOSED DOORS
6' x 8' x 1 3/4" STAINLESS STEEL/ GLASS DOORS



TD BANK

535 Boylston Street
Boston, MA

Bergmeyer

Bergmeyer Associates, Inc.
51 Sleeper Street
Boston, MA 02210
Phone 617 542 1025
Fax 617 542 1026