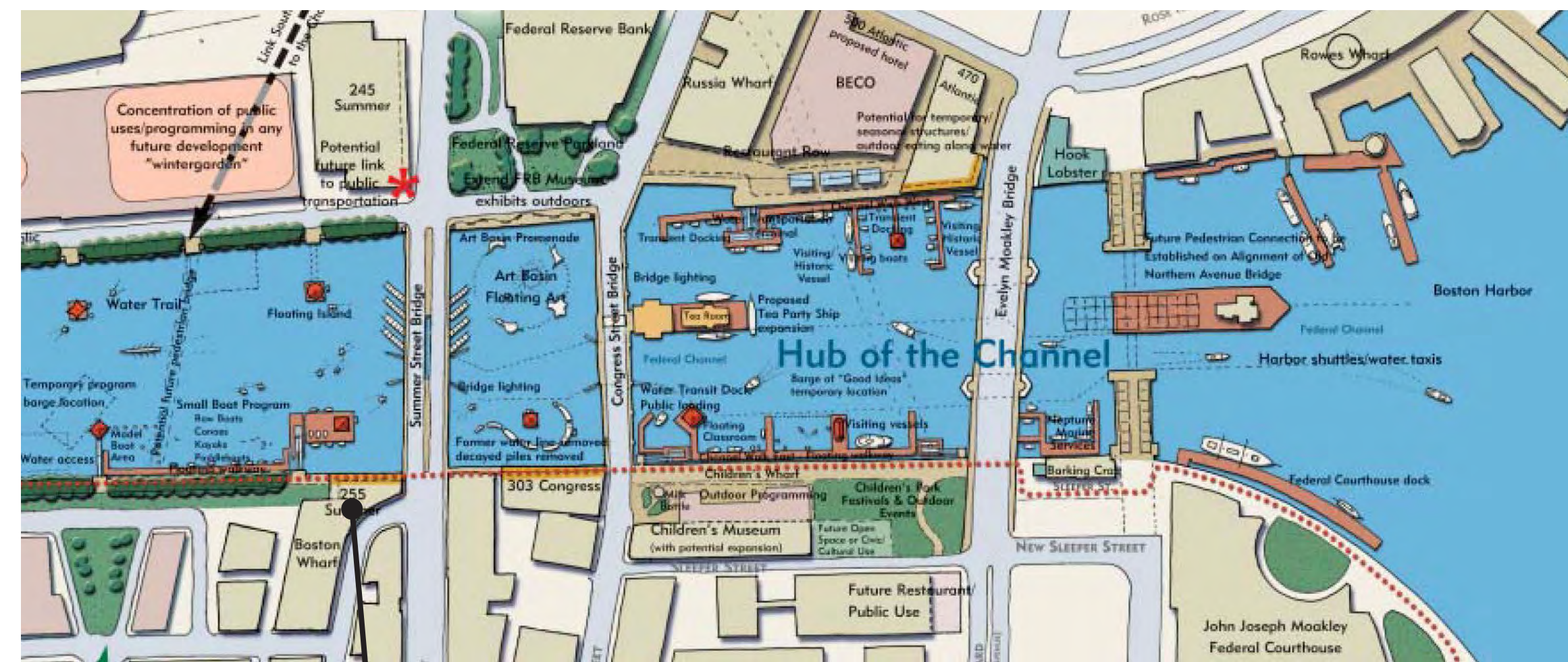
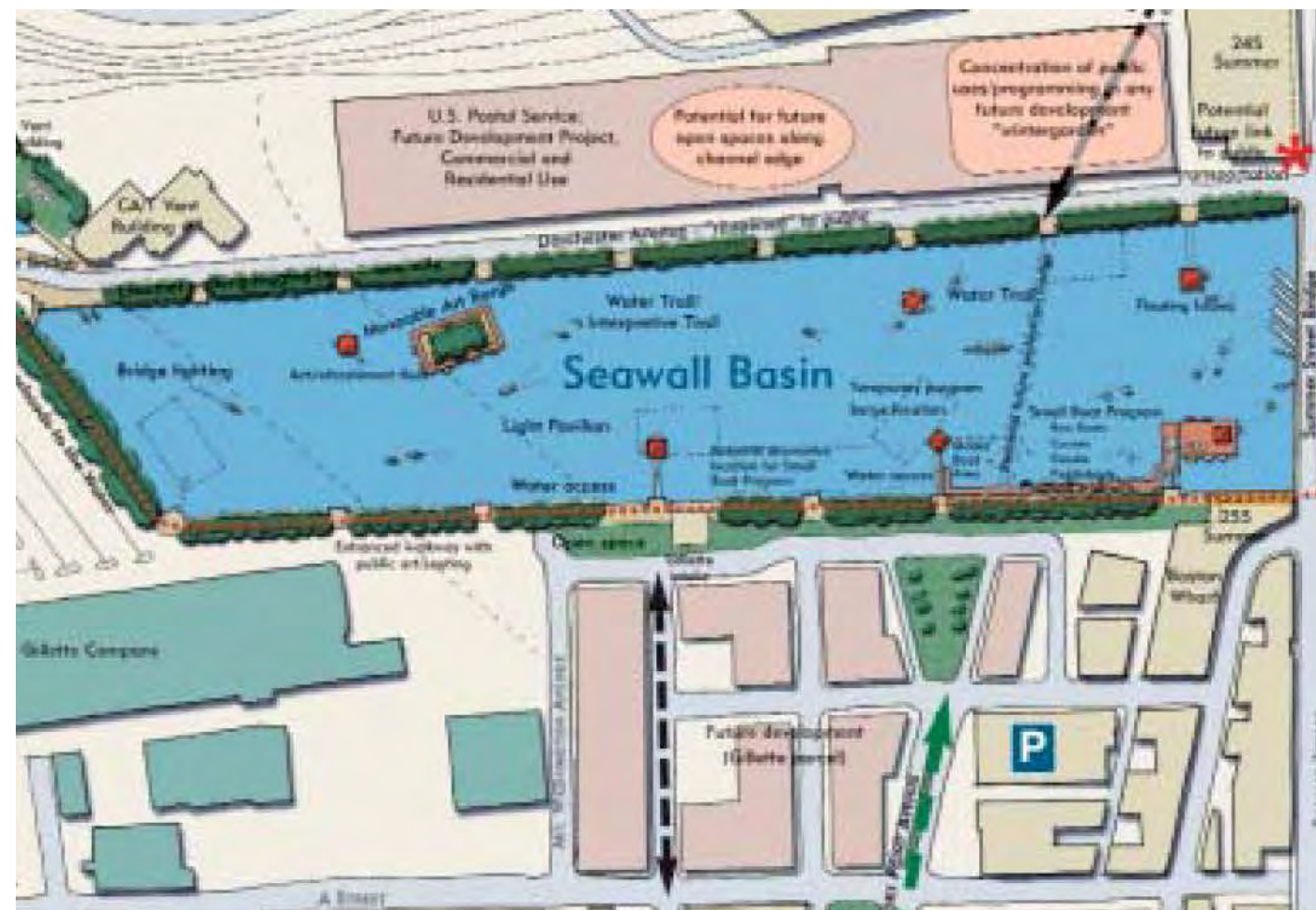




Polita

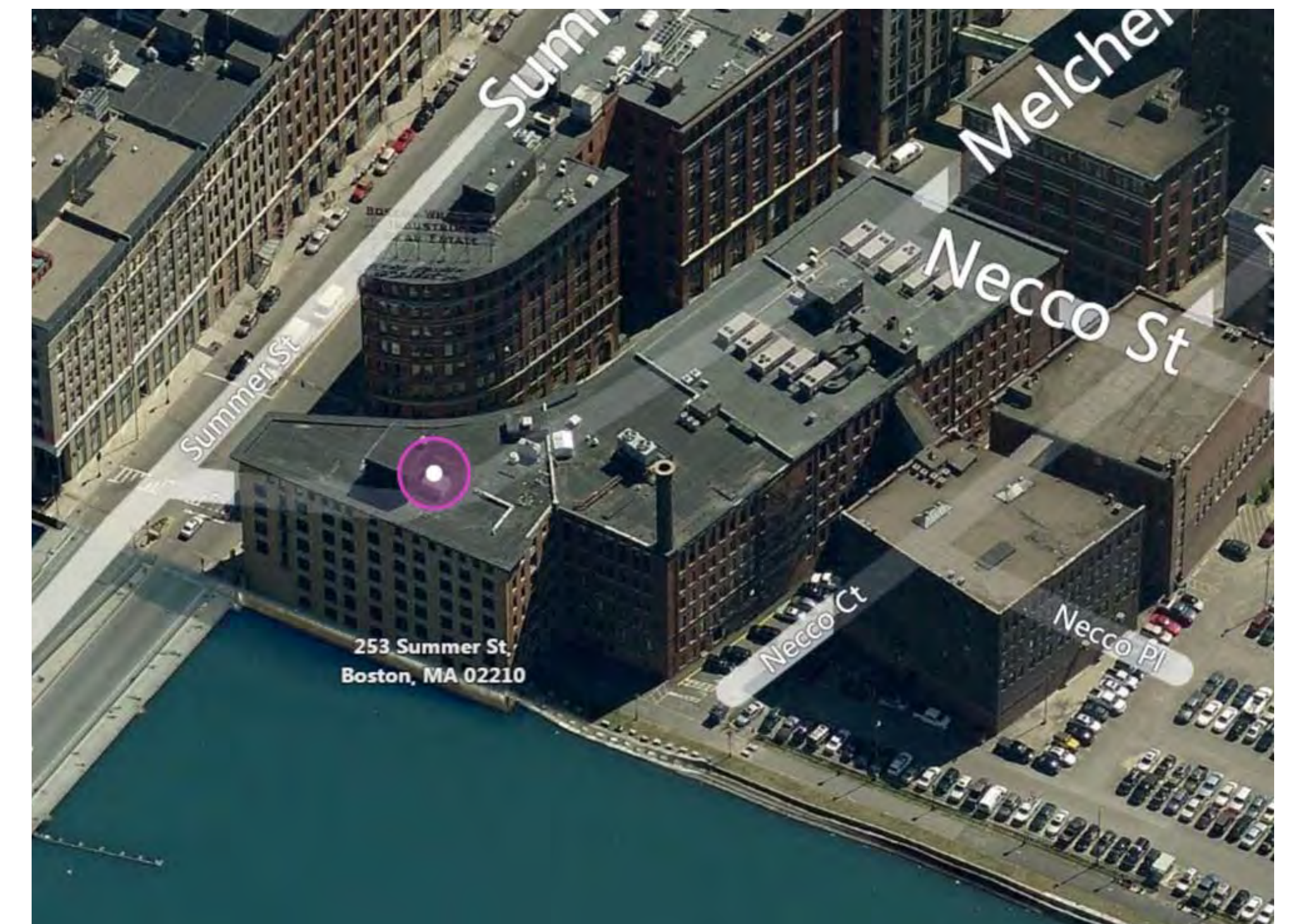
cocina & tequila bar

FORT POINT NEIGHBORHOOD



253 SUMMER STREET

AERIAL VIEWS



253 SUMMER STREET



SITE LOCATION

Bergmeyer

12-19-2016

EXTERIOR BUILDING VIEWS



253 SUMMER STREET
BOSTON, MA 02110

Bergmeyer
12-19-2016

EXTERIOR BUILDING VIEWS



253 SUMMER STREET
BOSTON, MA 02110

Bergmeyer
12-19-2016



EXISTING PLAN

Bergmeyer

12-19-2016



PROPOSED PLAN

Bergmeyer

12-19-2016

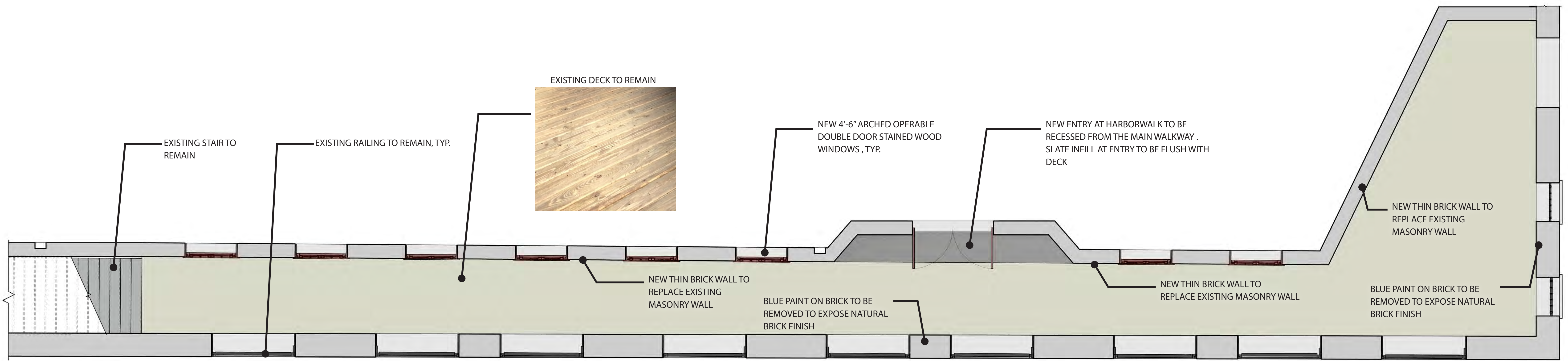




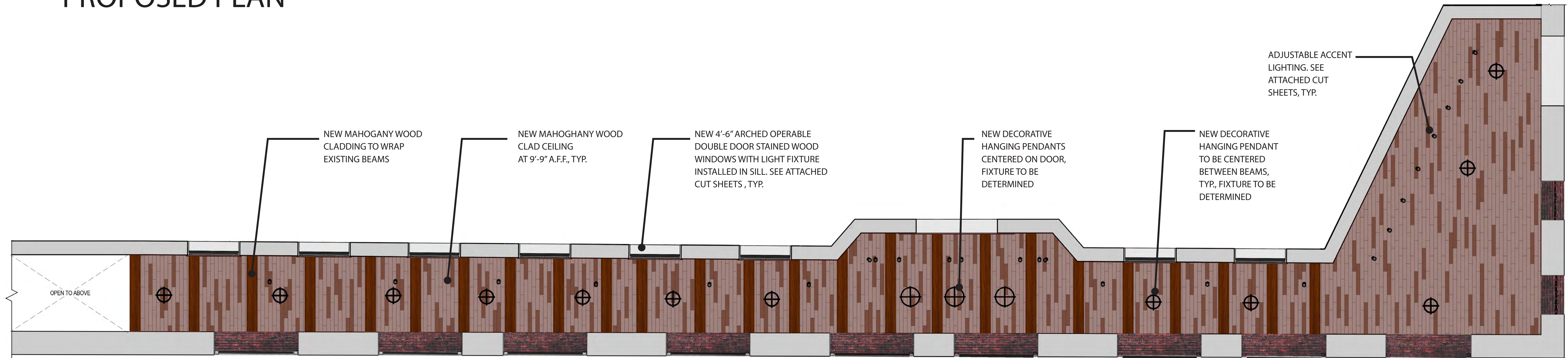
PROPOSED PLAN

(PREVIOUSLY APPROVED SUBMISSION)

Bergmeyer
12-19-2016



PROPOSED PLAN



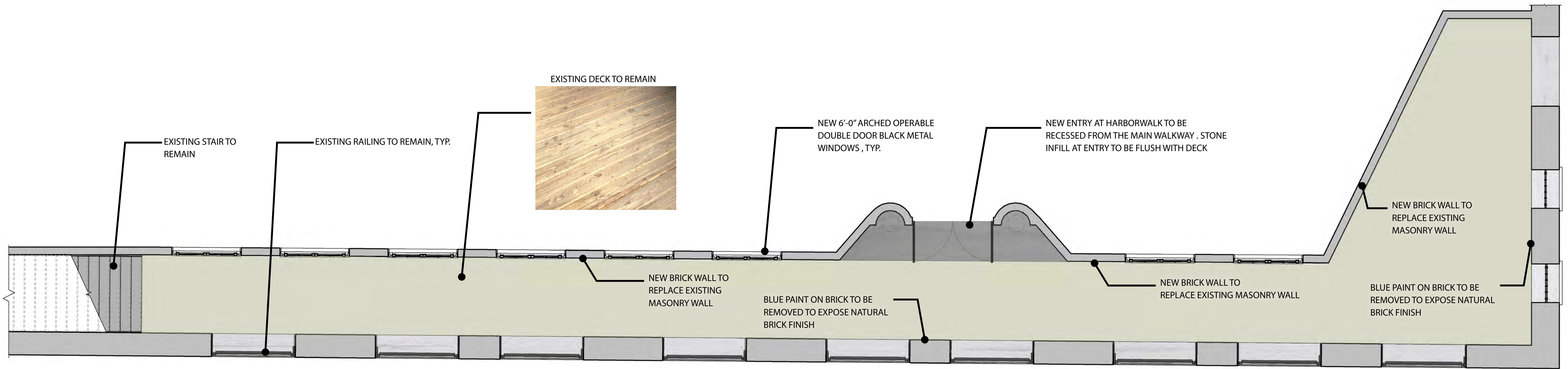
PROPOSED REFLECTED CEILING PLAN

PROPOSED HARBORWALK PLANS

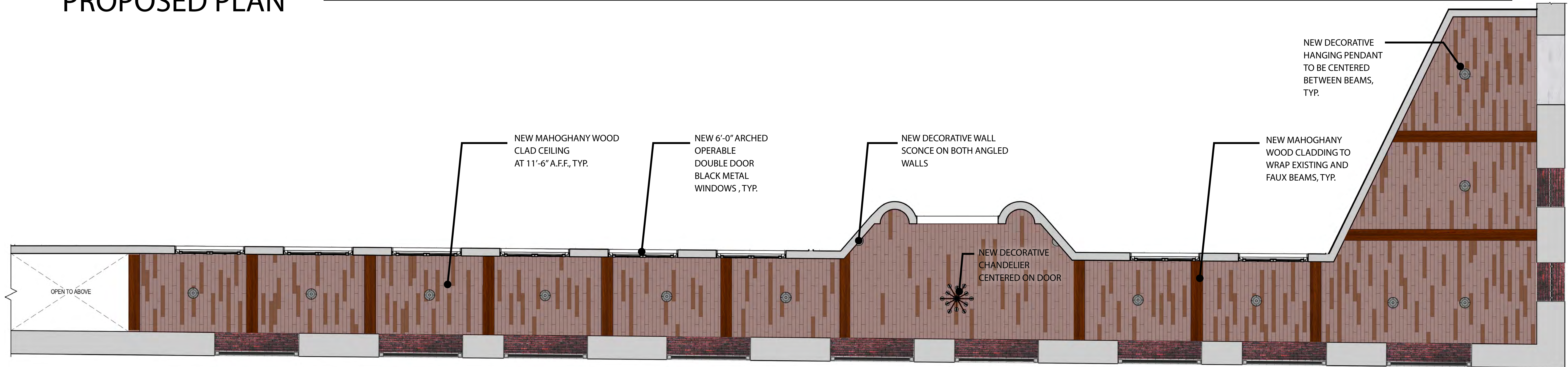


Bergmeyer

12-19-2016



PROPOSED PLAN



PROPOSED REFLECTED CEILING PLAN

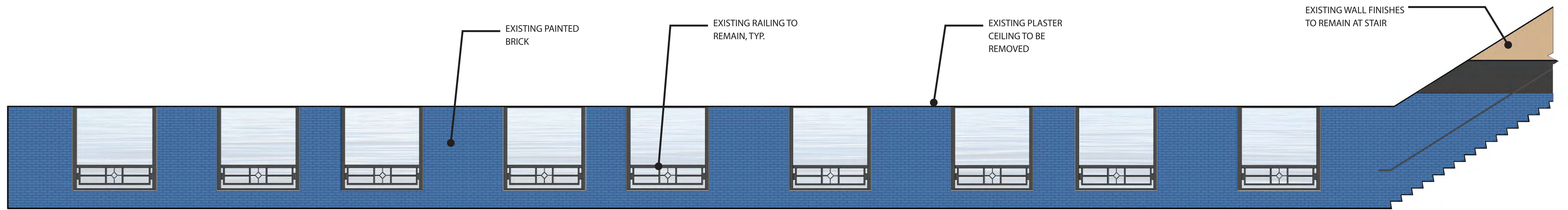
PROPOSED HARBORWALK PLANS

(PREVIOUSLY APPROVED SUBMISSION)

Bergmeyer

12-19-2016





EXISTING ELEVATION



PROPOSED ELEVATION

FACING FORT POINT CHANNEL





PROPOSED ELEVATION

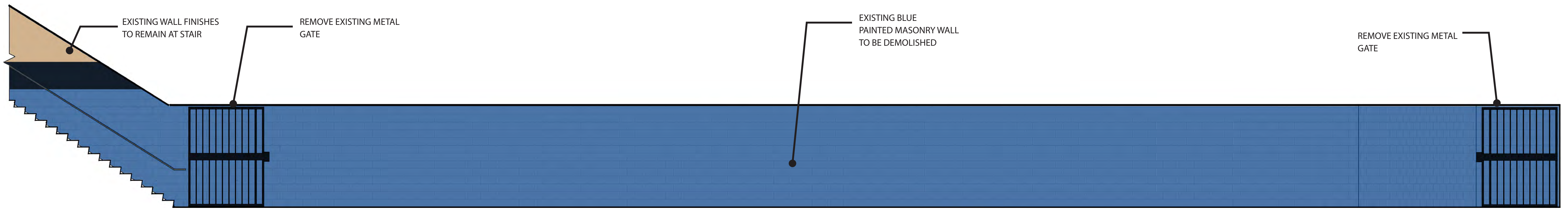


FACING FORT POINT CHANNEL

(PREVIOUSLY APPROVED SUBMISSION)

Bergmeyer

12-19-2016



EXISTING ELEVATION



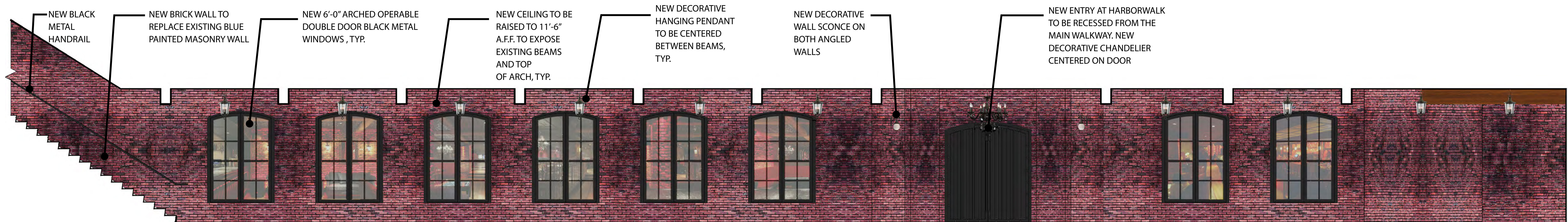
PROPOSED ELEVATION



FACING LOLITA COCINA

Bergmeyer

12-19-2016



PROPOSED ELEVATION



FACING LOLITA COCINA

(PREVIOUSLY APPROVED SUBMISSION)

Bergmeyer

12-19-2016



PROPOSED ELEVATION



ENTERING HARBORWALK

Bergmeyer

12-19-2016

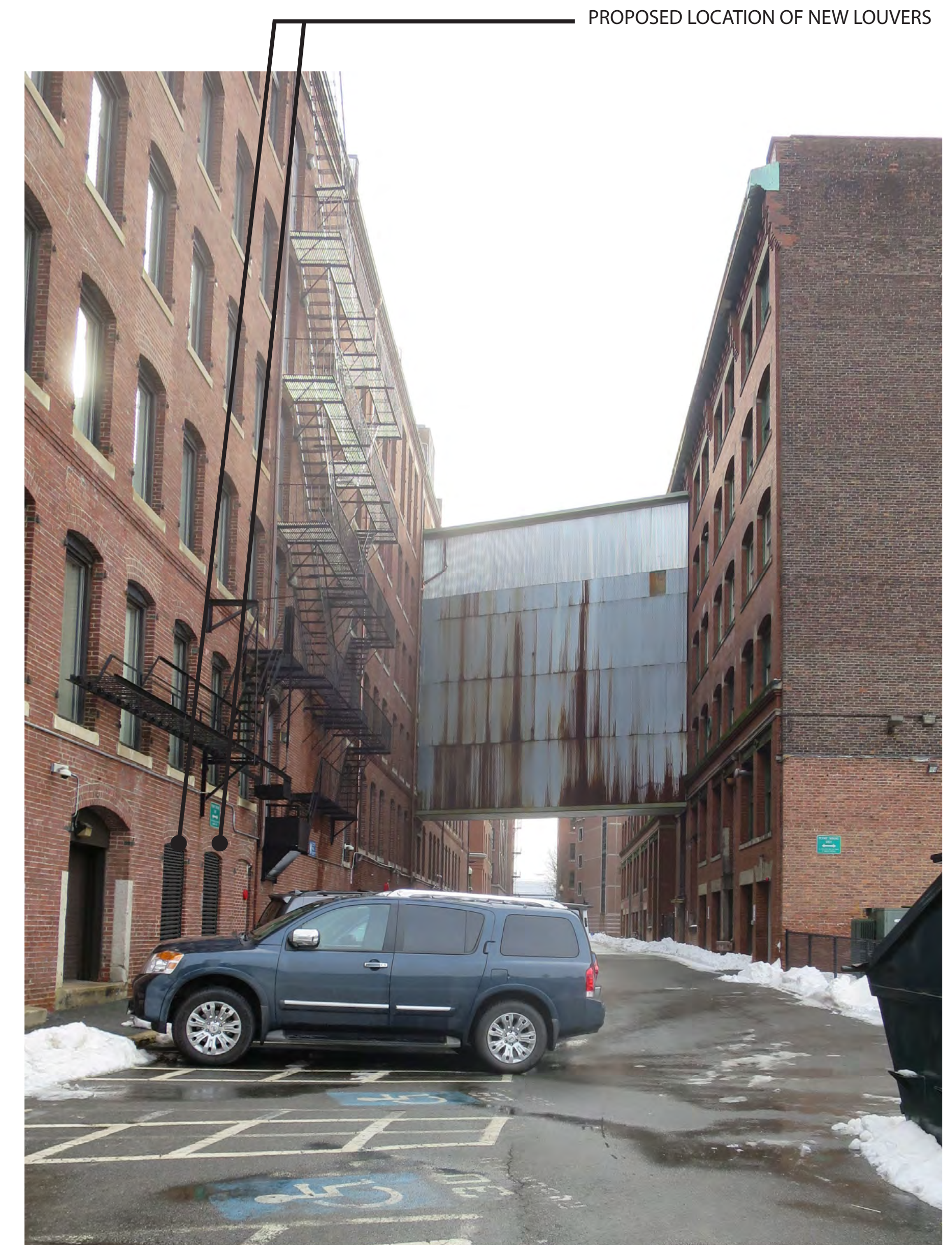


EXISTING ELEVATION



PROPOSED LOCATION OF NEW LOUVERS;
COLOR TO MATCH EXISTING DOORS

PROPOSED ELEVATION



PROPOSED LOCATION OF NEW LOUVERS

PERSPECTIVE



VIEW OF NECCO COURT

Bergmeyer

12-19-2016

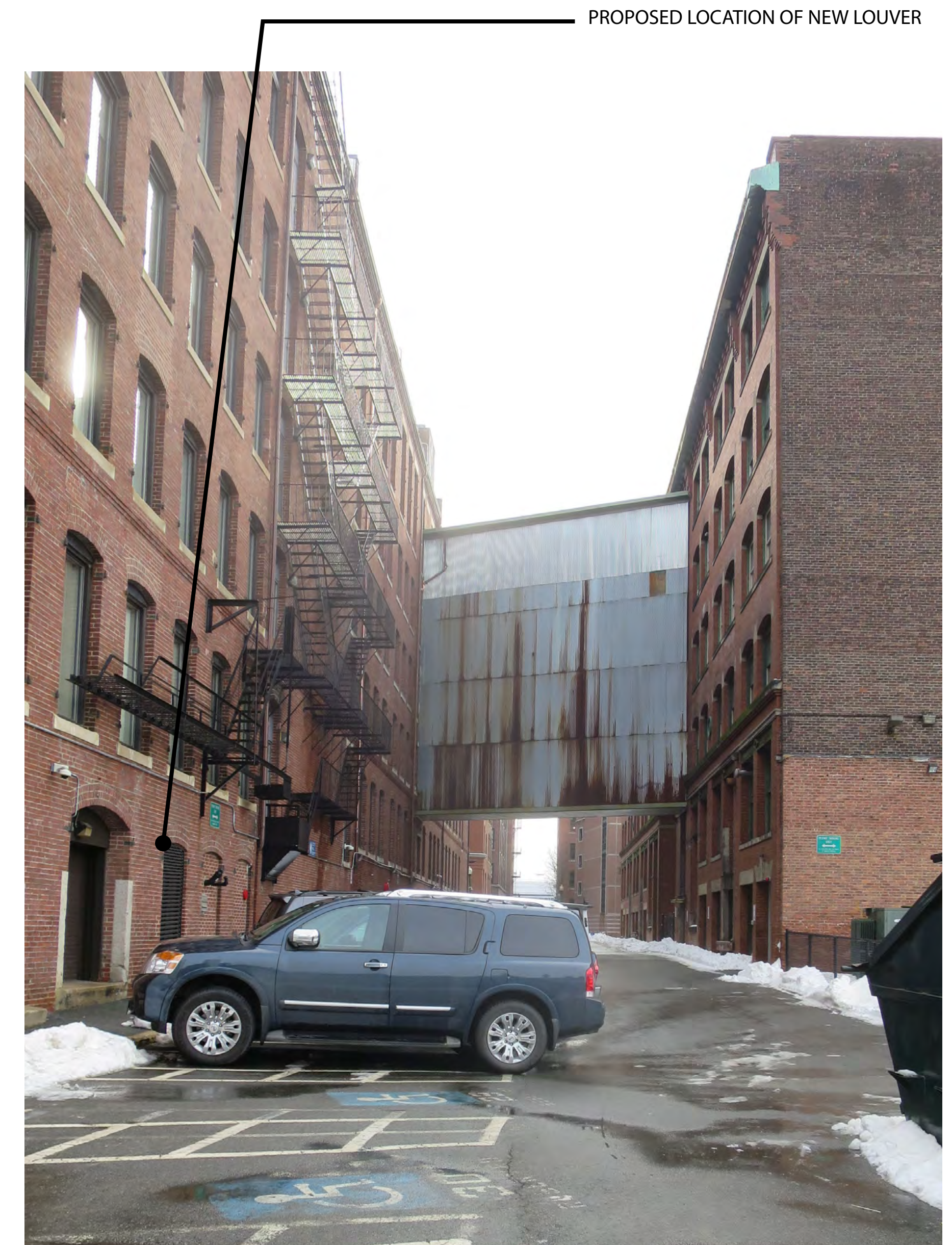


EXISTING ELEVATION



PROPOSED LOCATION OF NEW LOUVER;
COLOR TO MATCH EXISTING DOORS

PROPOSED ELEVATION



PROPOSED LOCATION OF NEW LOUVER

PERSPECTIVE

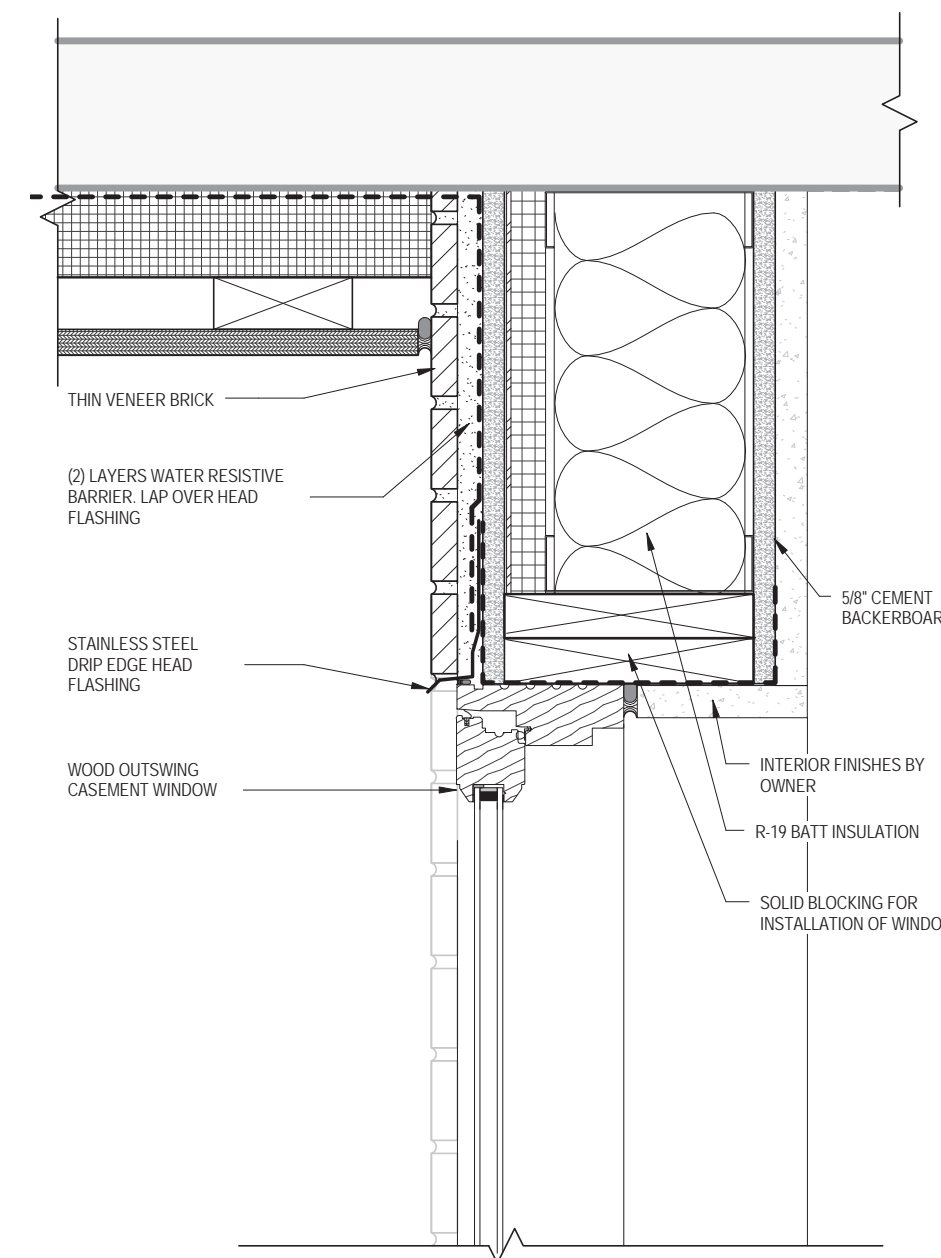
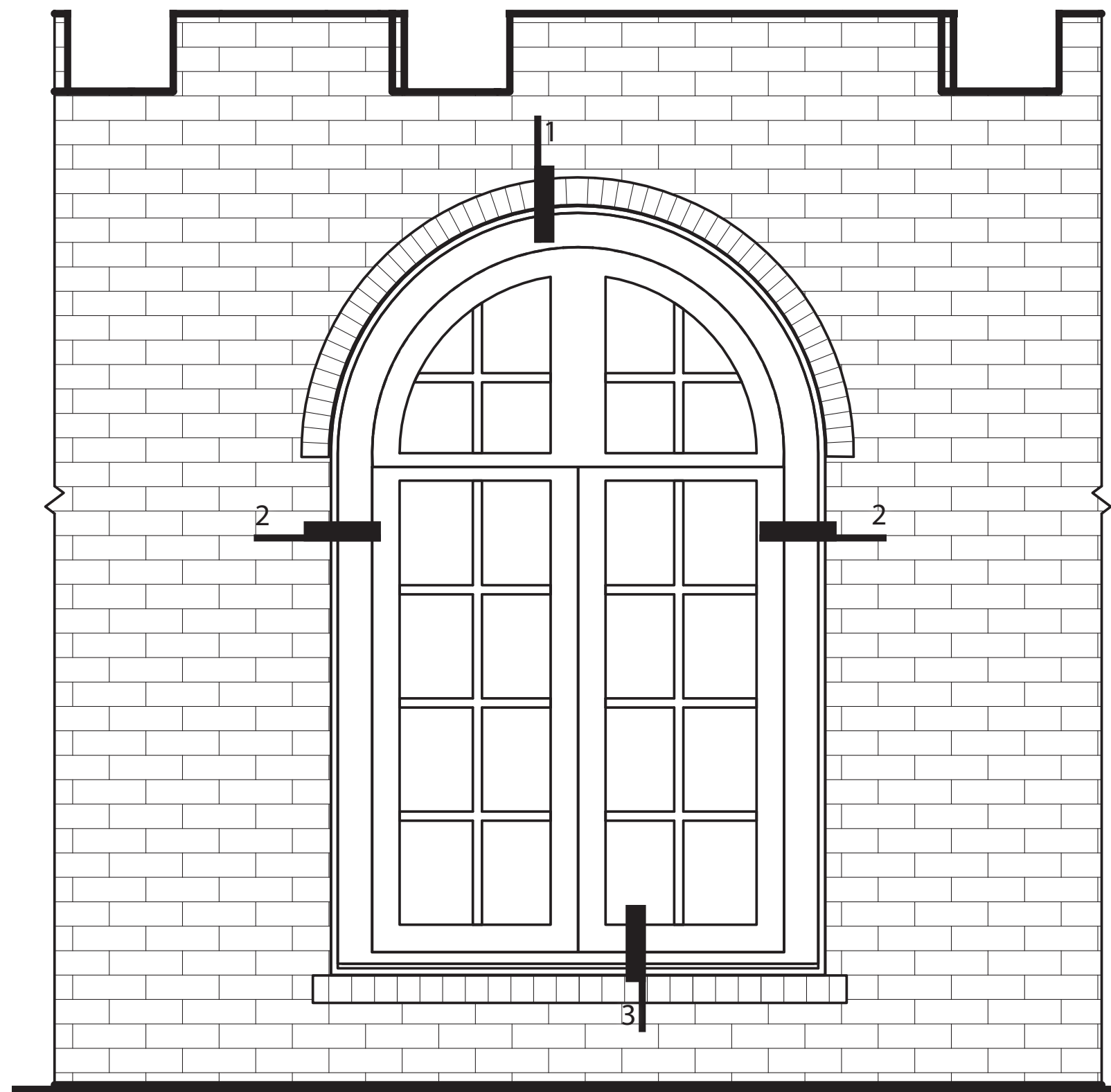


VIEW OF NECCO COURT

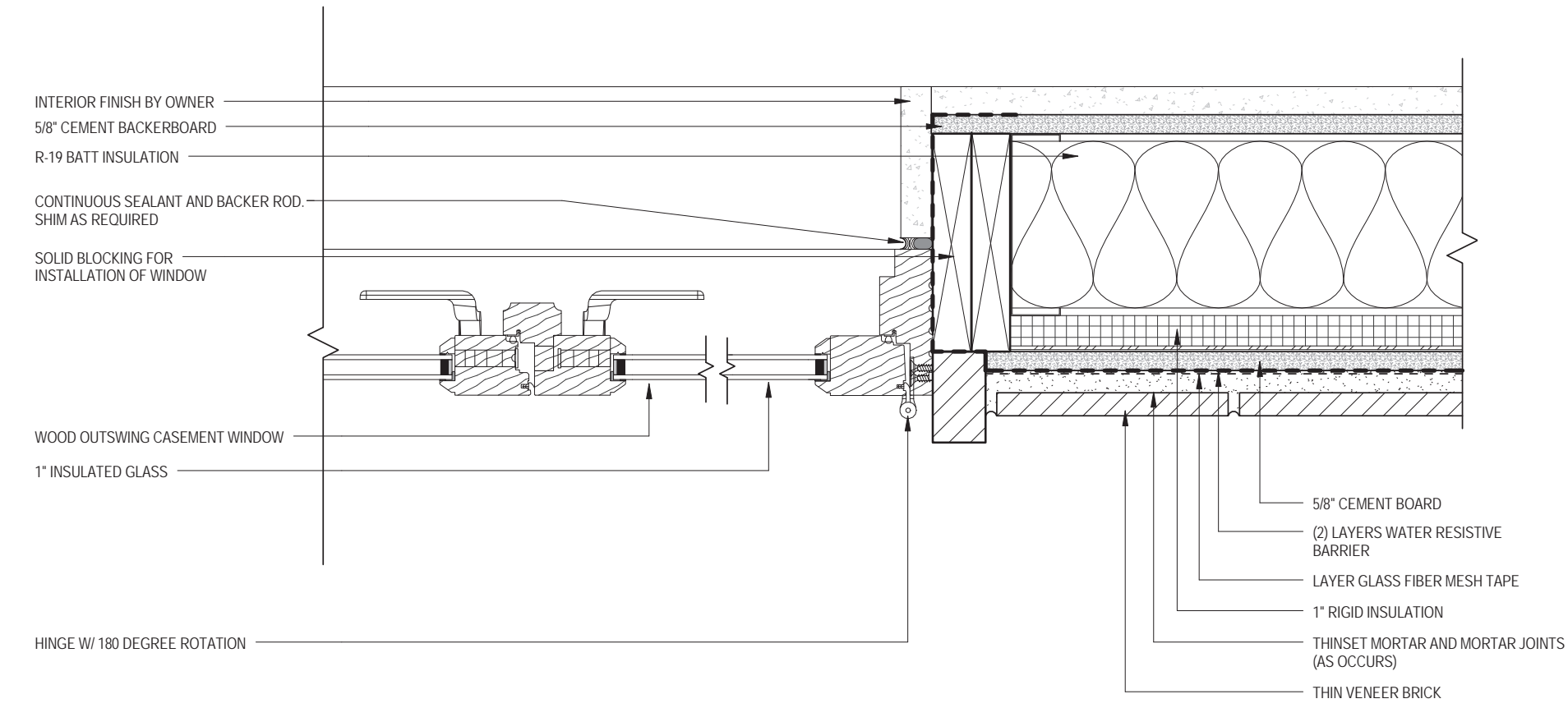
(PREVIOUSLY APPROVED SUBMISSION)

Bergmeyer

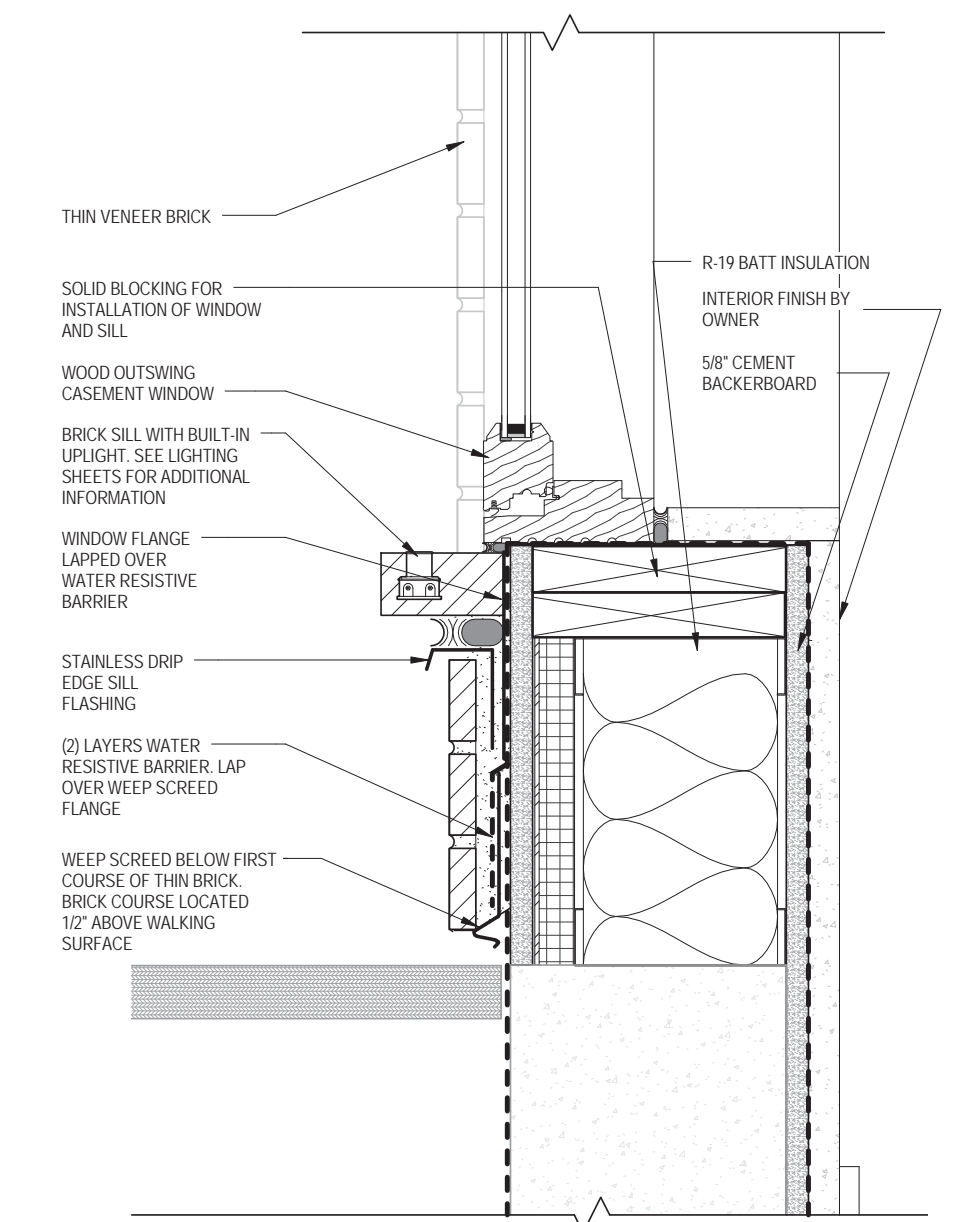
12-19-2016



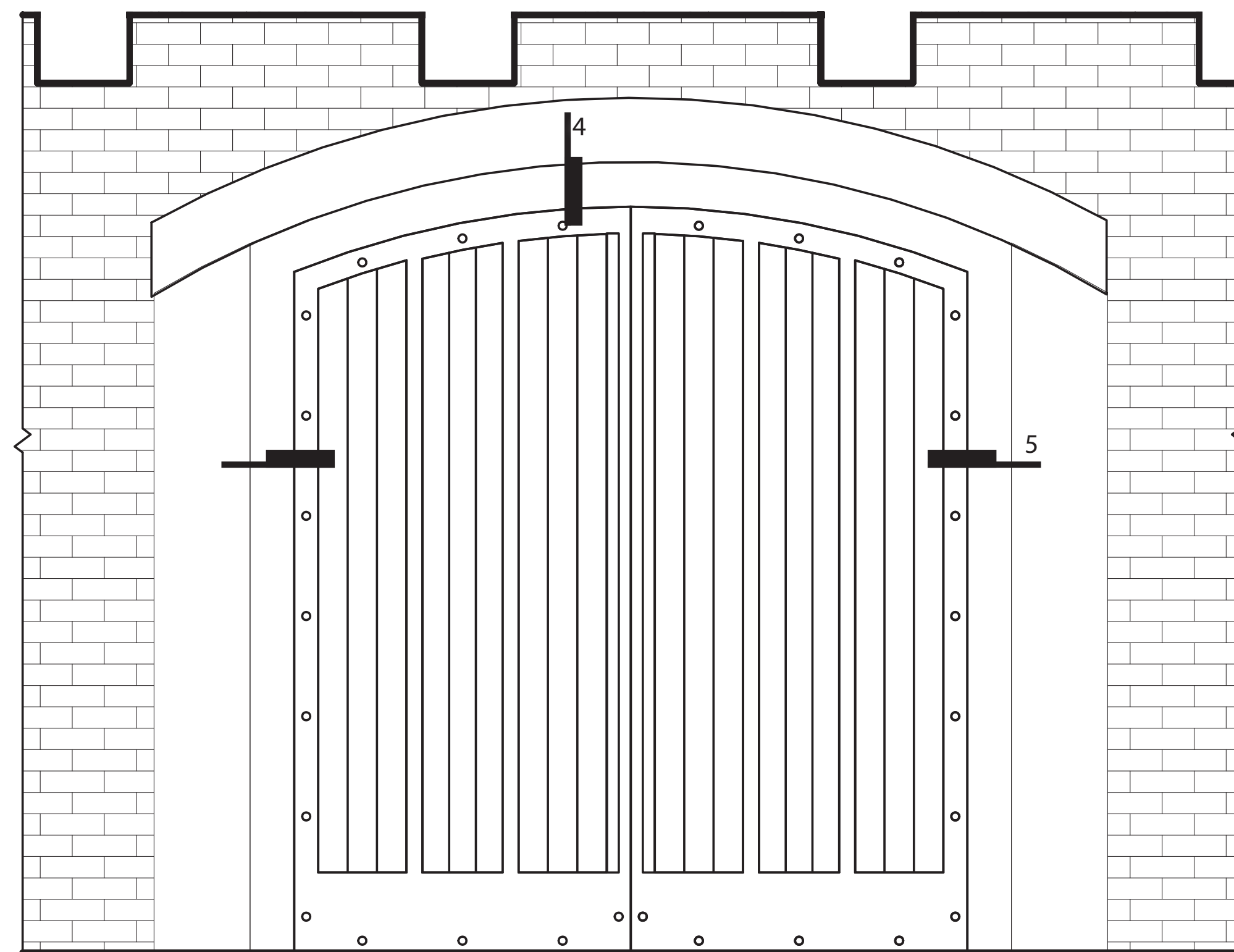
(1) WOOD WINDOW HEAD



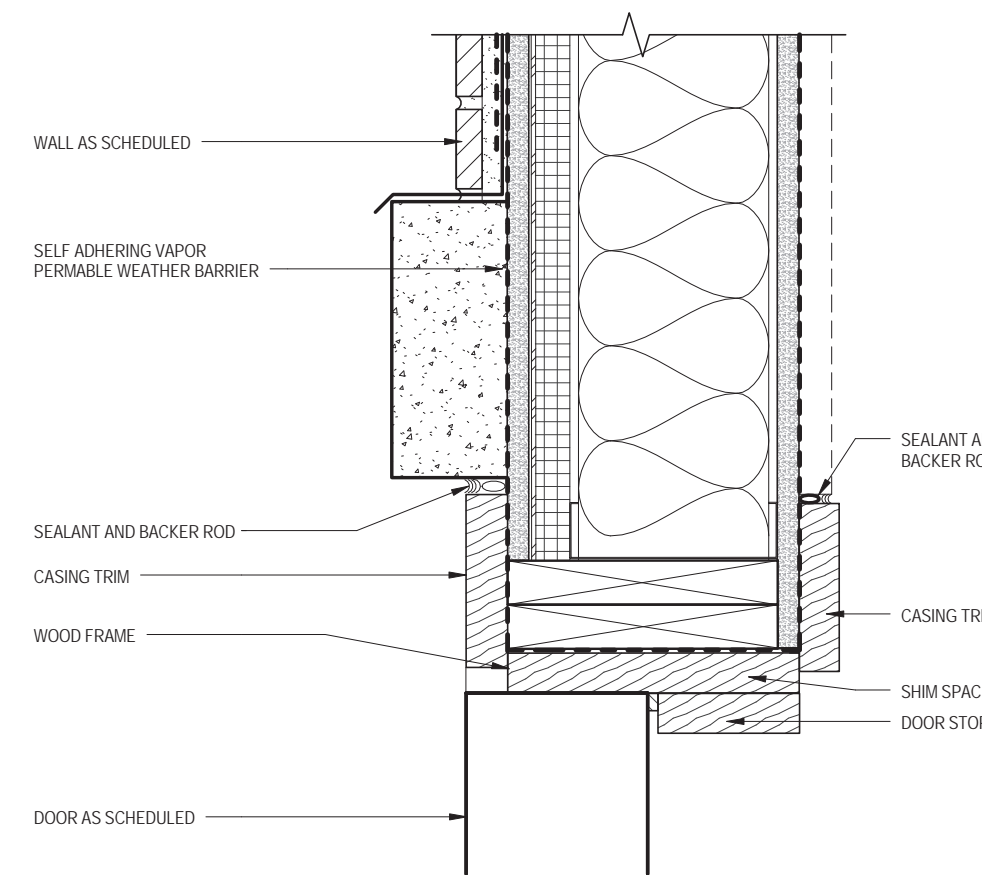
(2) WOOD WINDOW JAMB



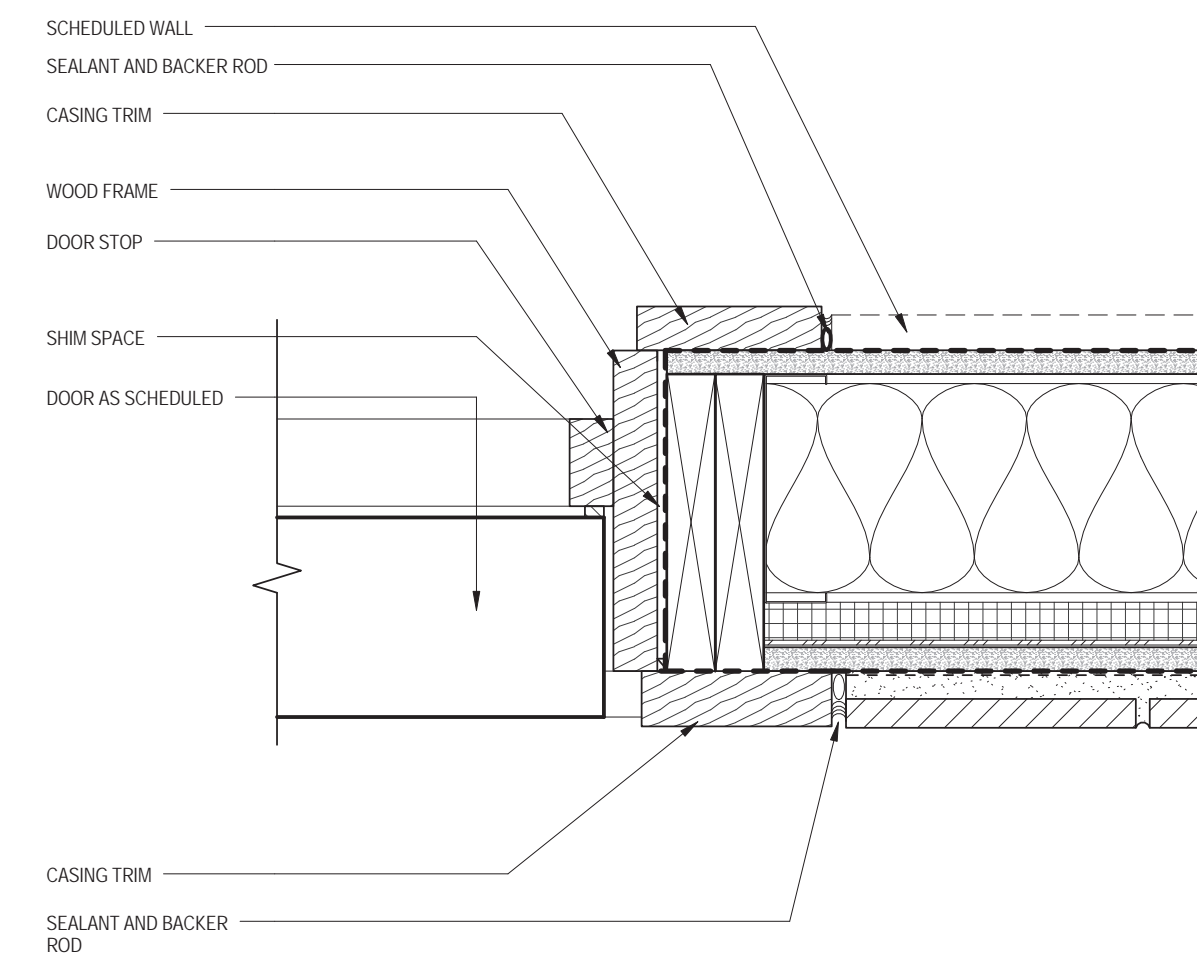
(3) WOOD WINDOW SILL



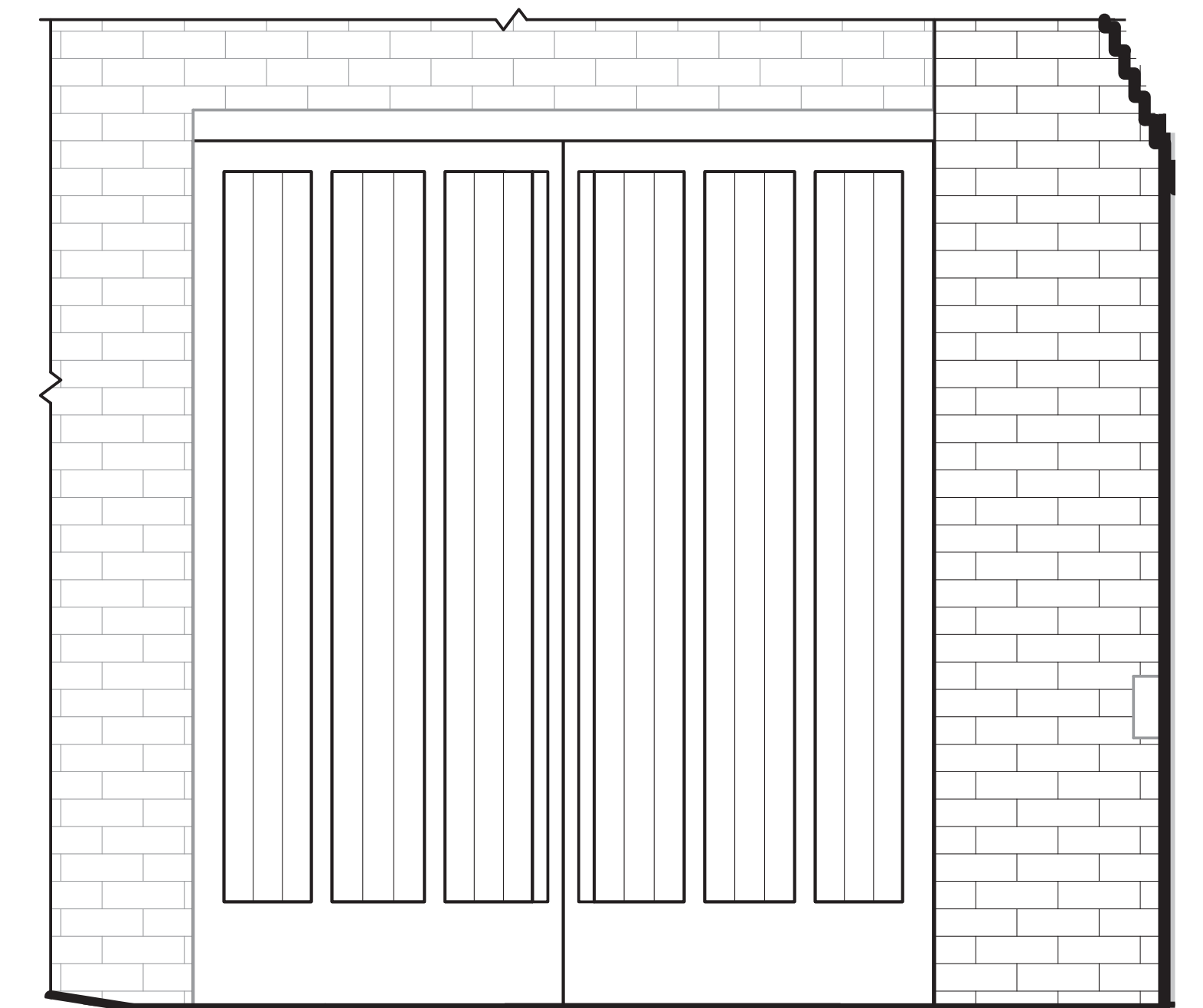
NOTE: DOOR HARDWARE TO BE CONFIRMED



(4) WOOD DOOR HEAD



(5) WOOD DOOR JAMB



NOTE: DOOR HARDWARE TO BE CONFIRMED

WINDOW DETAILS

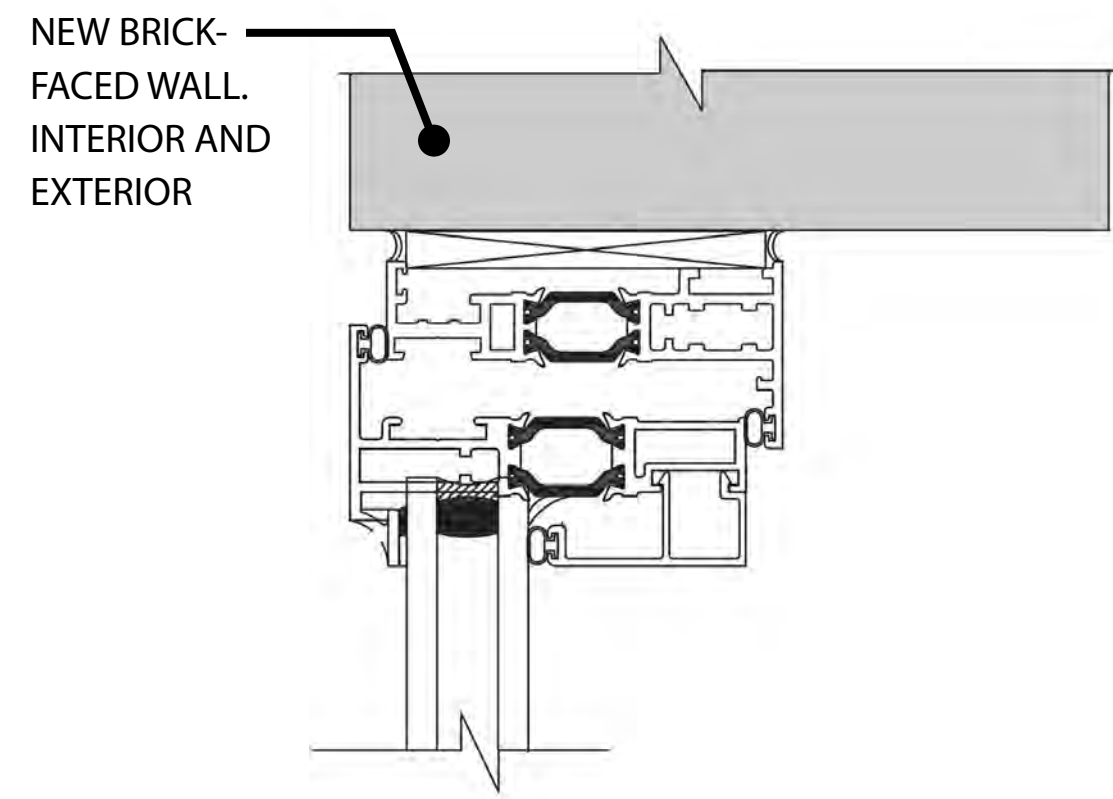
Bergmeyer

12-19-2016

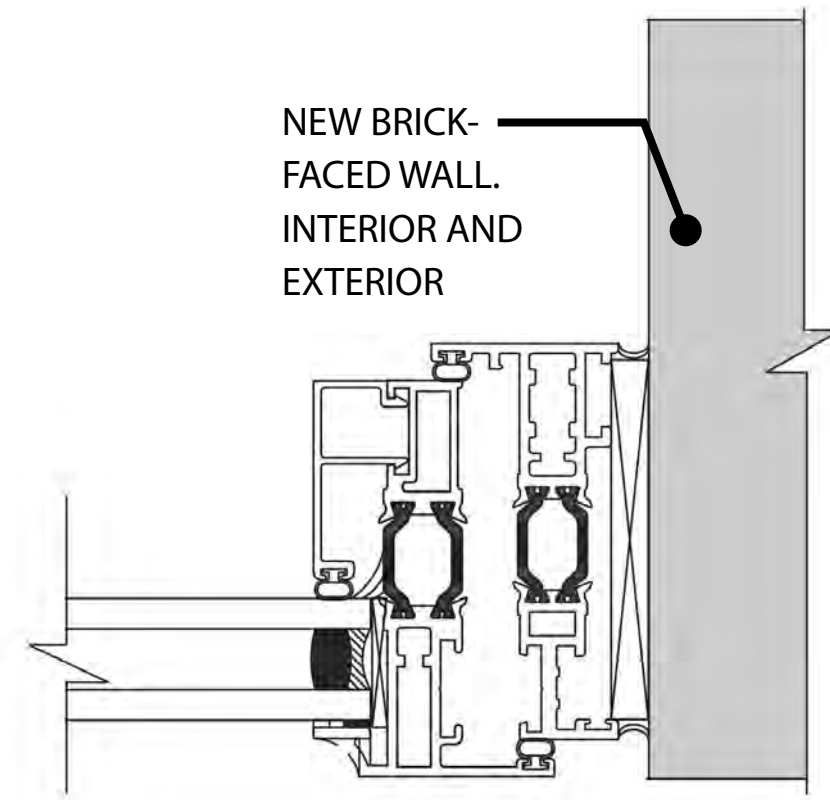
Yolita



cocina & tequila bar

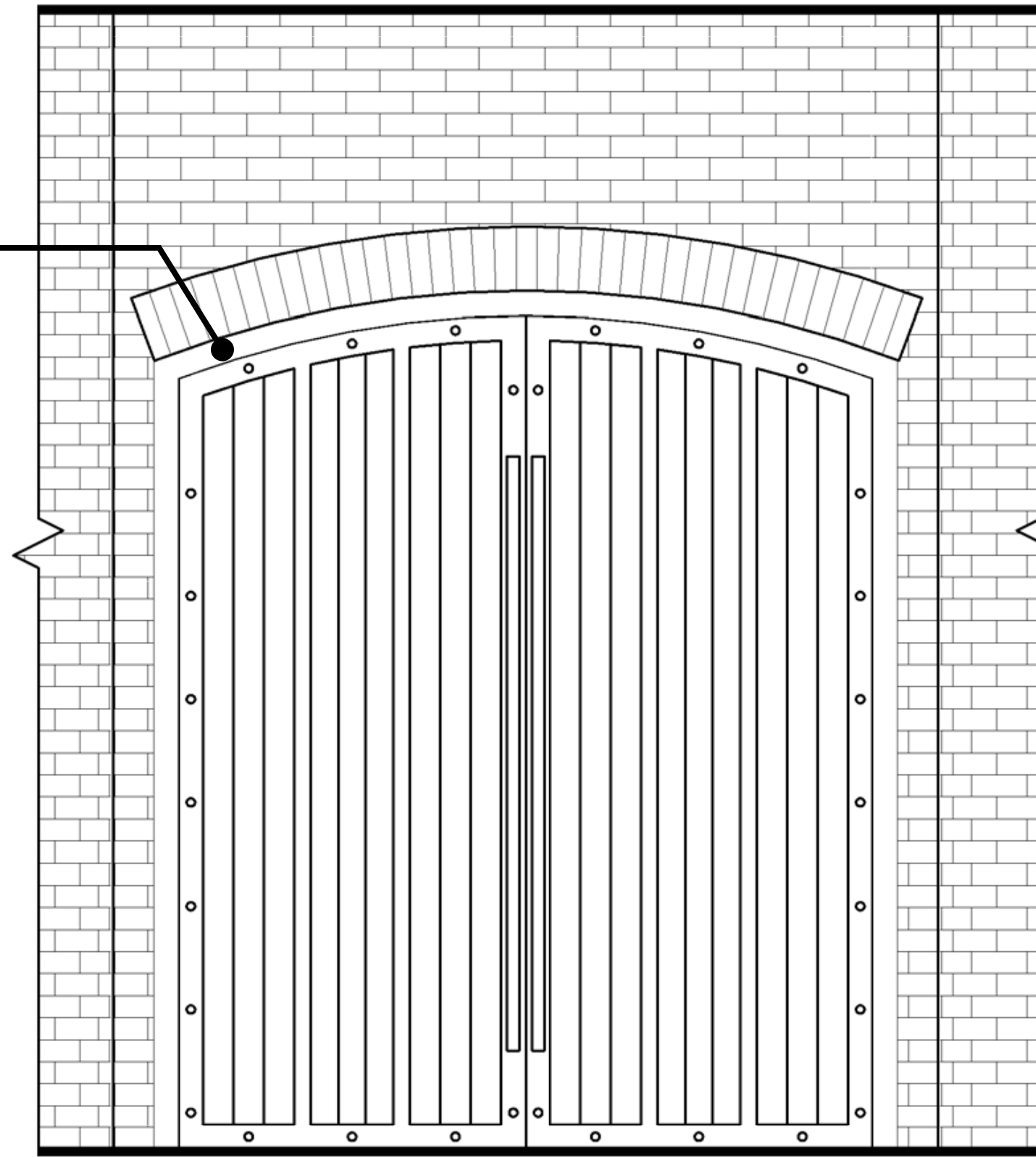


(1) WINDOW HEAD

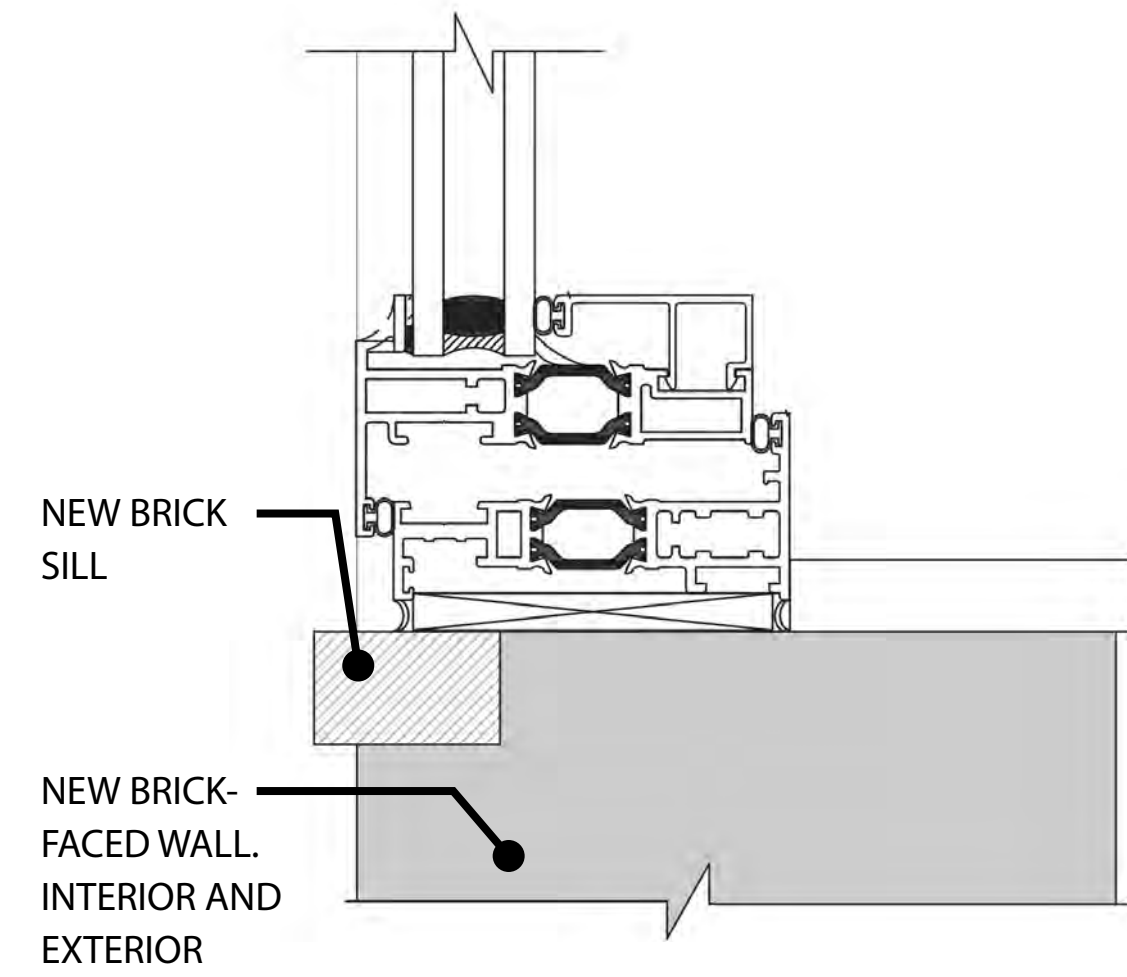
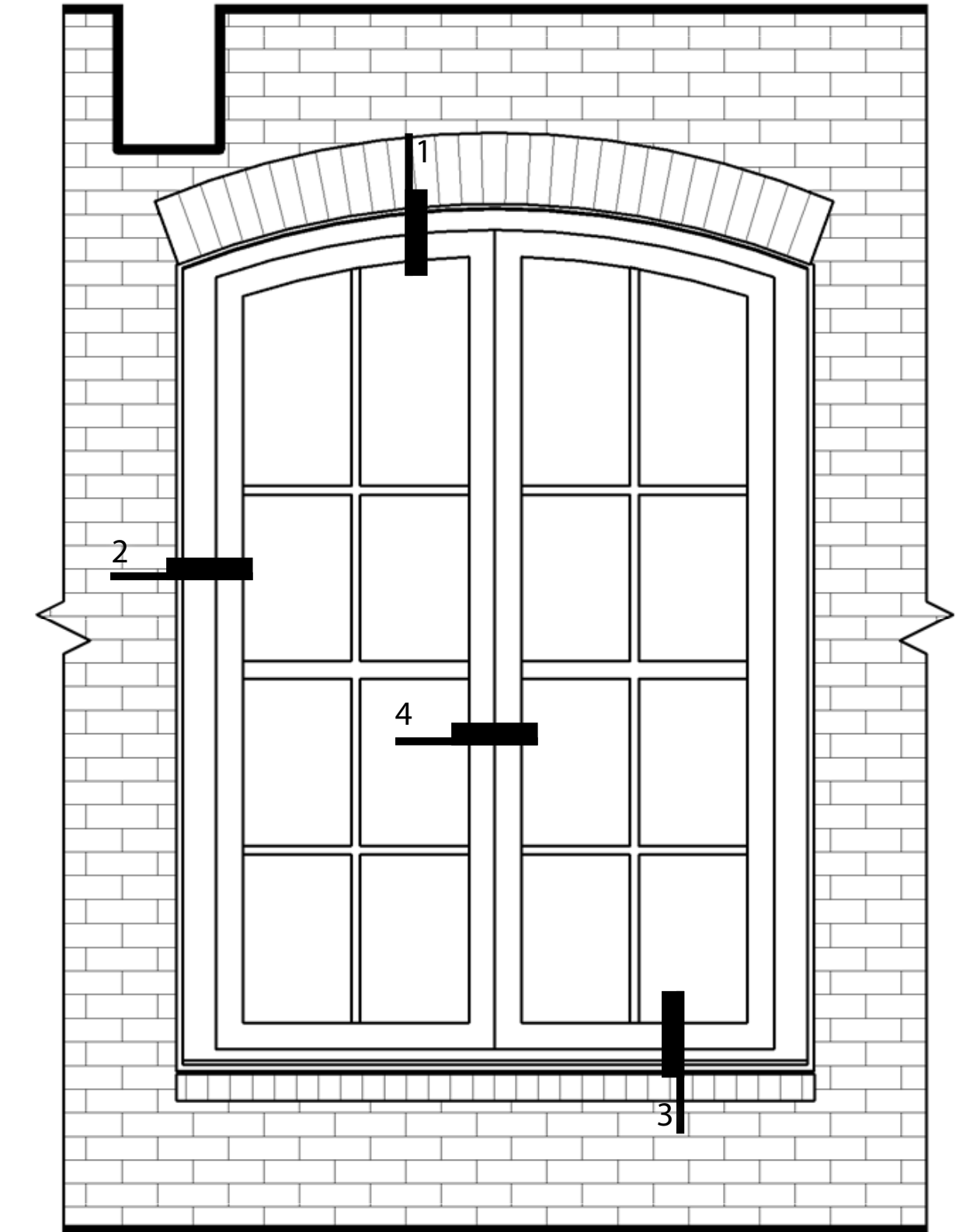


(2) WINDOW JAMB

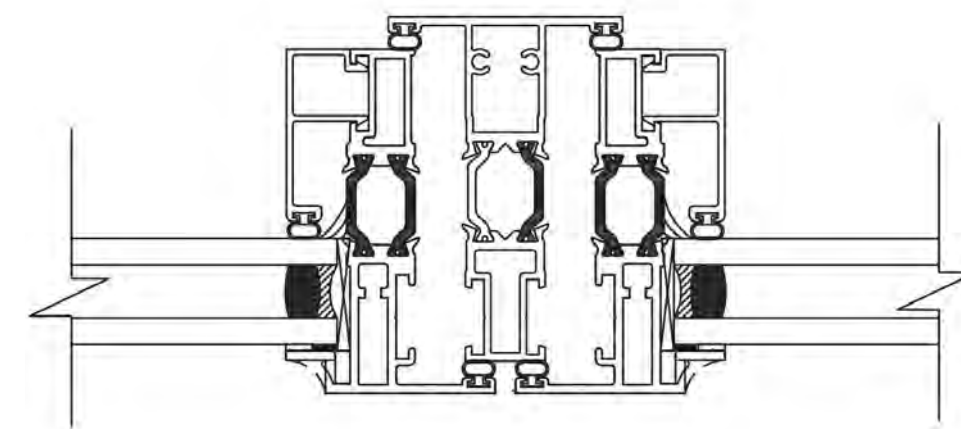
CUSTOM DOOR
FRAME DETAIL
TO BE
CONFIRMED



NOTE: DOOR HARDWARE TO BE CONFIRMED



(3) WINDOW SILL



(4) VERTICAL INTEGRAL MUNTIN



WINDOW DETAILS

(PREVIOUSLY APPROVED SUBMISSION)

Bergmeyer

12-19-2016

T3850

3-1/2" Series

Low Profile Adjustable Regressed Trim with Slot Aperture

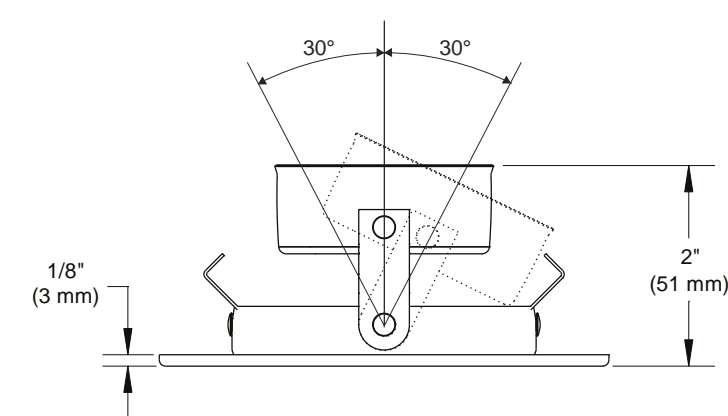
LIGHTING SUPPLIER TO FURNISH:
(1) SORAA MR16 LED LAMP OR EQUAL (SEE ATTACHED CUT SHEET)
(1) HEXCELL LOUVER
(1) SPREAD LENS (SPREAD TBD)
(1) ROSCO DICHROIC COLOR FILTER (COLOR TBD) - REFER TO "DICHRO" CUT

SPECIFICATIONS

TRIM	Powder coat painted or plated die-formed steel. Different finishes available. Painted finishes available with Marine Grade option.	
LAMPS (maximum wattage)	GU10 LED 9.8W MR16 LED GU 5.3 11.5W PAR16 LED 8W	GU10 50W MR16 GU 5.3 20-50W
	If you want to use the dimming option and you use a GU10 or PAR16 LED lamp, please refer regularly to the lamp manufacturer compatibility list. For dimming a MR16 LED lamp, please refer to the selected housing specification sheet (compatible housings list below). *Use supplied glass lens only with un protected MR16 lamps.	
CEILING CUTOUT	Ø 3-5/8" (92 mm)	
CERTIFICATION	<ul style="list-style-type: none"> cULus E343977 for damp locations (for GU10, MR16 and PAR16 LED lamps) cULus E174023 for damp locations (for MR16, GU10 halogen lamps) 	
WARRANTY	1 year for standard finishes, 2 years on "Marine Grade" finishes.	

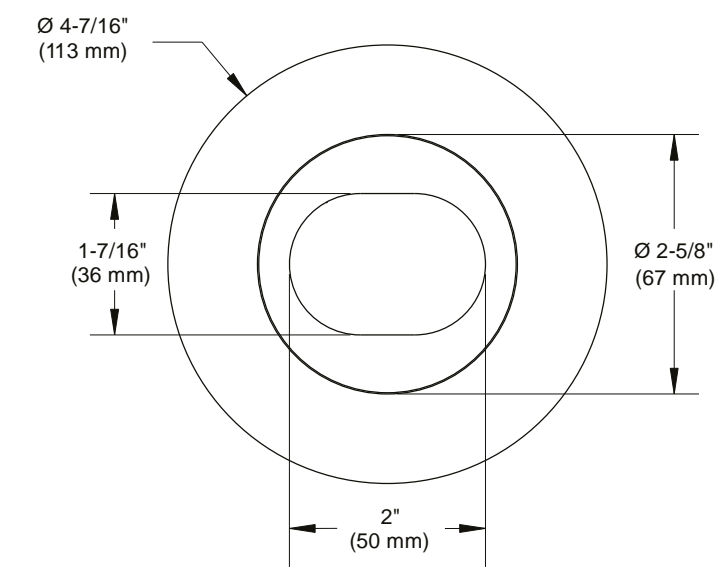


T3850-06 (illustrated)
(Lamp not included)



COMPATIBLE HOUSINGS

	IC Air Tight Remodel Housing	IC Air Tight New Construction Housing
LED	GU10 LED 9.8W IT3000T-LED MR16 LED GU 5.3 11.5W IT3000CE-LED IT3000E-LED PAR16 LED 8W CA3000-LED	GU10 LED 9.8W NW3000T-LED MR16 LED GU 5.3 11.5W NW3000CE-LED NW3000E-LED PAR16 LED 8W NW3000CA-LED
HALOGENS	Remodel Housing MR16 GU 5.3 50W IT3000LE IT3000LM GU10 50W IT3000LT	New Construction Housing MR16 GU 5.3 37W NW3000CE NW3000CM MR16 GU 5.3 50W NW3000LE NW3000LM GU10 50W NW3000LT
		Insulated Housing MR16 GU 5.3 20W ISMR3000E20 ISMR3000M ISMR3000M20



CONTRAST
LIGHTING

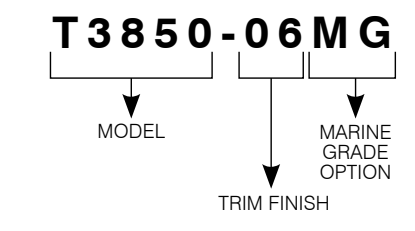
1009, rue du Parc Industriel
Lévis (Québec) G6Z 1C5 Canada
Tel.: 1-888-839-4624 Fax: 1-877-839-7057
info@contrastlighting.com
www.contrastlighting.com

© 2015 Contrast Lighting M.L. Inc.
All rights reserved.
Contrast Lighting reserves the right to make changes in specifications and/or to discontinue any product at any time without notice or obligation and will not be liable for any consequences resulting from the use of this publication.

T3850

3-1/2" Series

CODIFICATION EXAMPLE



ORDERING CODE

MODEL	TRIM FINISH	MARINE GRADE
T3850		
T3850	-01 White	MG (optional)
	-02 Black	May be applied on finishes: -01, -02, -05, -06, -11 and -15
	-03 Gold Plated 24K	
	-04 Chrome	
	-04BR Brushed Chrome	
	-05 Architectural Bronze	
	-06 Antique Copper	
	-11 Matte White	
	-12BR Brushed Nickel	
	-13 Satin Nickel	
	-15 Metallic Grey	
	-17 Antique Nickel	

MARINE GRADE - Unless otherwise indicated, trims are for interior, cold and exterior locations where fixtures are not subject to direct rain or snow exposure as in soffits. MARINE GRADE treatment is recommended for exterior, shower and high salinity environment.

CONTRAST
LIGHTING

1009, rue du Parc Industriel
Lévis (Québec) G6Z 1C5 Canada
Tel.: 1-888-839-4624 Fax: 1-877-839-7057
info@contrastlighting.com
www.contrastlighting.com

© 2015 Contrast Lighting M.L. Inc.
All rights reserved.
Contrast Lighting reserves the right to make changes in specifications and/or to discontinue any product at any time without notice or obligation and will not be liable for any consequences resulting from the use of this publication.



ACCENT LIGHT CUT SHEET

Bergmeyer

12-19-2016

ELECTRICAL CONTRACTOR: THIS FIXTURE REQUIRES 0-10V WIRING!

Specification Sheet / In-grade / L05

MP LIGHTING®



CRITICAL NOTE:
ELECTRICAL CONTRACTOR MUST WIRE
FIXTURES IN SERIES OR FIXTURES WILL
BE DAMAGED.

Type:

Project:

Modified:

Quantity:

Notes: PLEASE READ - When using a control system, consult dimming system manufacturer with minimum load before installing 12V AC transformer. Malfunction and damage to product due to improper dimming system installation or misuse will not be covered under warranty. Only DC Drivers are recommended for dimming systems. Consult MP Lighting for recommended drivers.

L05

Application: Application: Exterior/interior directional in-grade light for lighting walls, columns, architectural features or landscape features. Applicable for mounting into floors, walls, ceilings or other surfaces where a non-obtrusive luminaire is required.

Electrical: 3 x 1W, 350mA or 3 x 2.5W, 700mA LEDs.

LED Input Voltage: 12V DC or 12V AC

Power Consumption: 4W / 9W

Power Supply: DC - Powered by remote 120V, 350mA (3W) or 700mA (7.5W) 12V DC driver. Recommended TLDVA60W12. Dimmable with dimming controller, 0-10V dimming. Consult factory.

AC - Recommended TLW120MT050-01 / TLW277MT050 magnetic transformer (not included). Consult factory for dimming option.

Weight: 2.56lbs (1.16kg) (base extra).

Material: Solid anodized aluminum or stainless steel 316 with 3/8" (10mm) thick tempered glass lens, suitable for walk-over and drive-over applications. RoHS compliant.

Mounting: Comes with splice box, aluminum flange and level gauge. Can be buried in earth/gravel or cast into concrete/paving stone with or without mounting base.

IP rating: 68

Approval: Wet and dry locations. Approved to US and Canadian standards by CSA.



Emergency Driver options (remote):

MP Lighting Emergency Backup Unit.
Input: 100-277V, 50/60Hz / Output: 11-36V, 16W

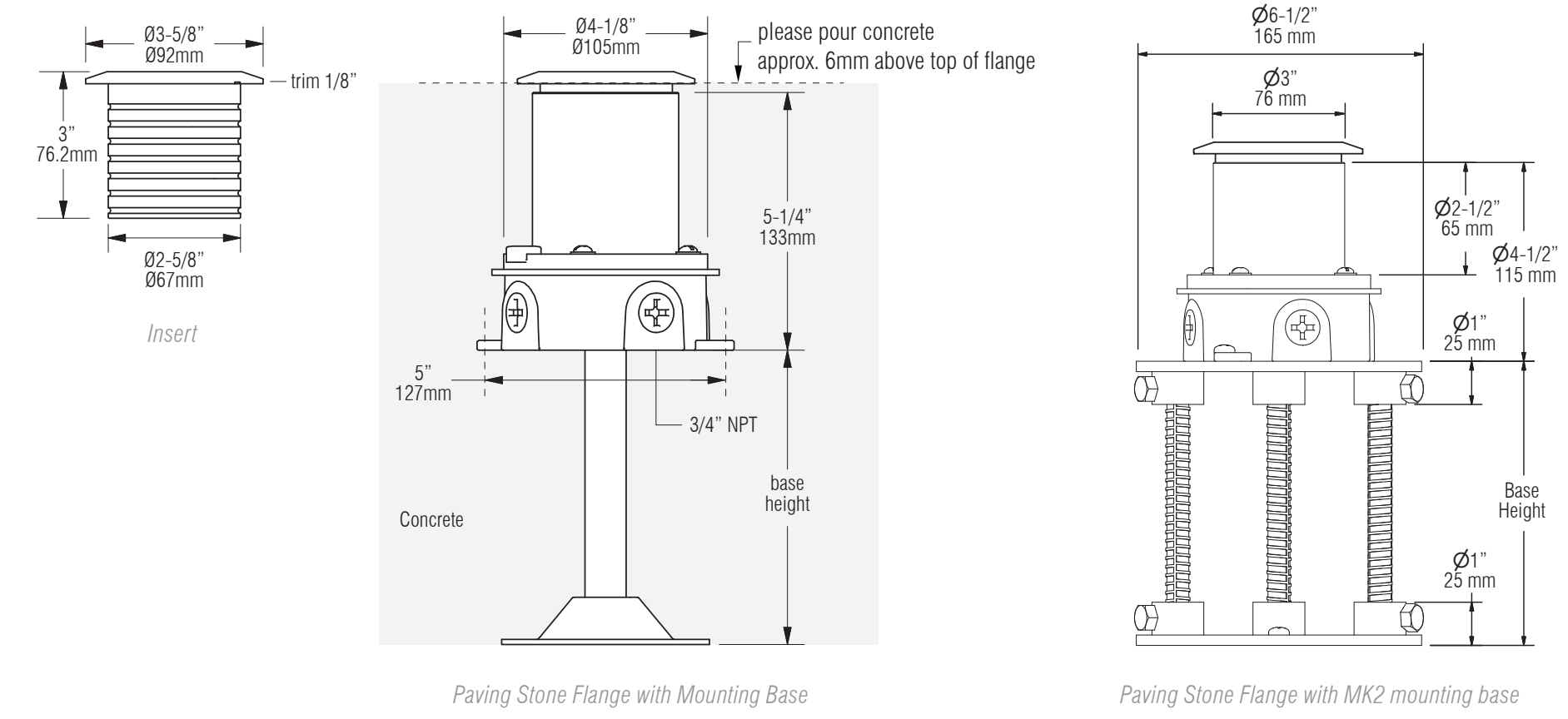
Bodine Emergency Micro Inverter
Input: 120/277V, 50/60Hz / Output: 120/277V, 60Hz, 20W

Code	Wattage	Color	Beam	Lens	Option	Angle Bracket*	Input Voltage	Base Height	Finish
L05	3 = 3 x 1W 7 = 3 x 2.5W	W27S = 2700K, std CRI W30S = 3000K, std CRI W35S = 3500K, std CRI W41S = 4100K, std CRI W20H = 2000K, high CRI W30H = 3000K, high CRI <small>* Note: W20H has consistent binning that falls within 1.5 MacAdam ellipse.</small>	S = spot (12°) N = narrow flood (30°) F = flood (60°)	C = clear F = frosted	HM = hex louver, matte anodized HB = hex louver, black anodized <small>* Louver not available with angle bracket</small>	U = no angle 3U = 3U angle <small>* Internal angle bracket factory set. Cannot be field adjusted.</small>	A = 12V AC D = DC	0 = no base 2 = 2" (51mm) 6 = 6" (152mm)	MA = matte clear anodized BA = black anodized BZ = bronze SB = stainless steel 316

Specification Sheet / In-grade / L05

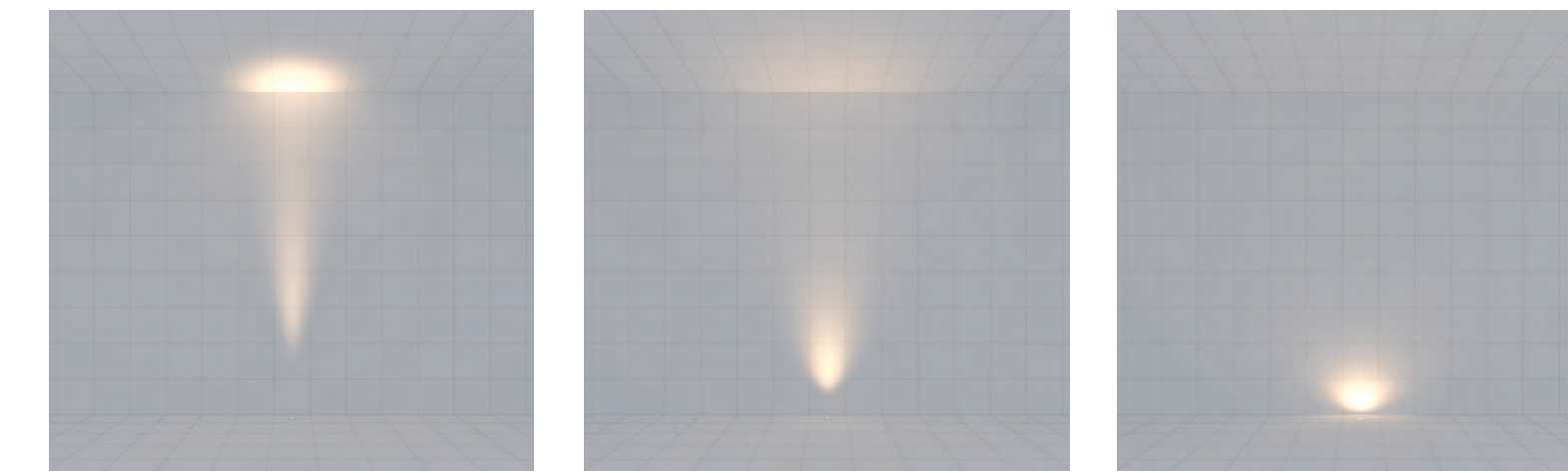
MP LIGHTING®

DIMENSION:



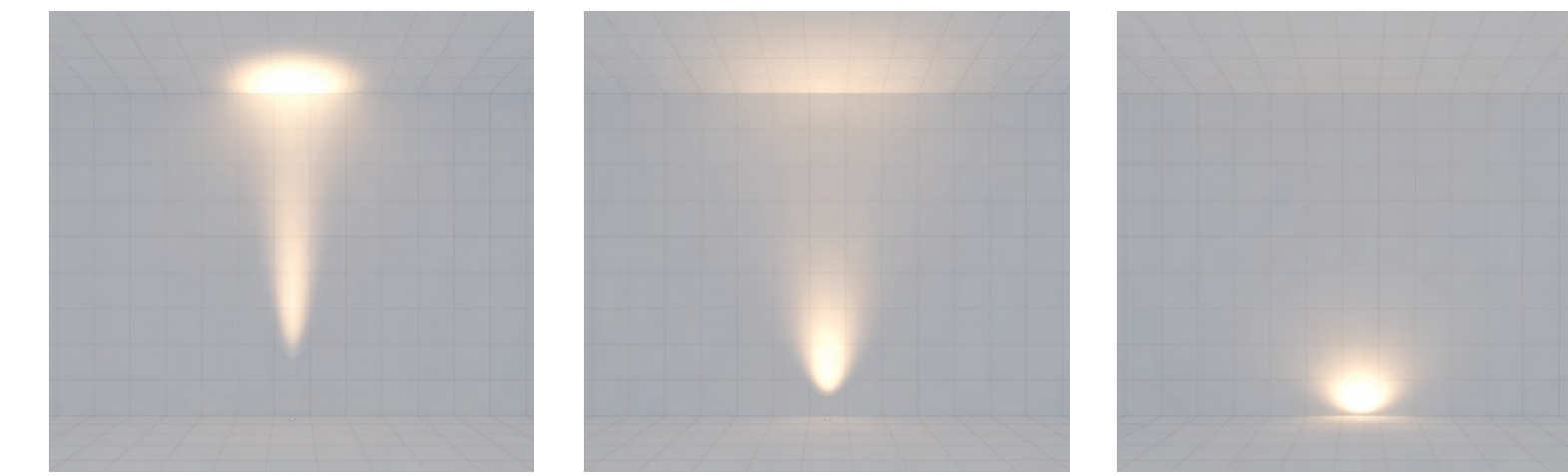
LIGHT DISTRIBUTION:

3Watt



12° (Spot Beam), Clear lens, Matte clear anodized
30° (Narrow Flood Beam), Clear lens, Matte clear anodized
60° (Wide Flood Beam), Clear lens, Matte clear anodized

7Watt



12° (Spot Beam), Clear lens, Matte clear anodized
30° (Narrow Flood Beam), Clear lens, Matte clear anodized
60° (Wide Flood Beam), Clear lens, Matte clear anodized



WINDOW SILL LIGHT CUT SHEET

Bergmeyer

12-19-2016