





Archer | Donahue
Boston, MA

Existing Conditions
Archer Building

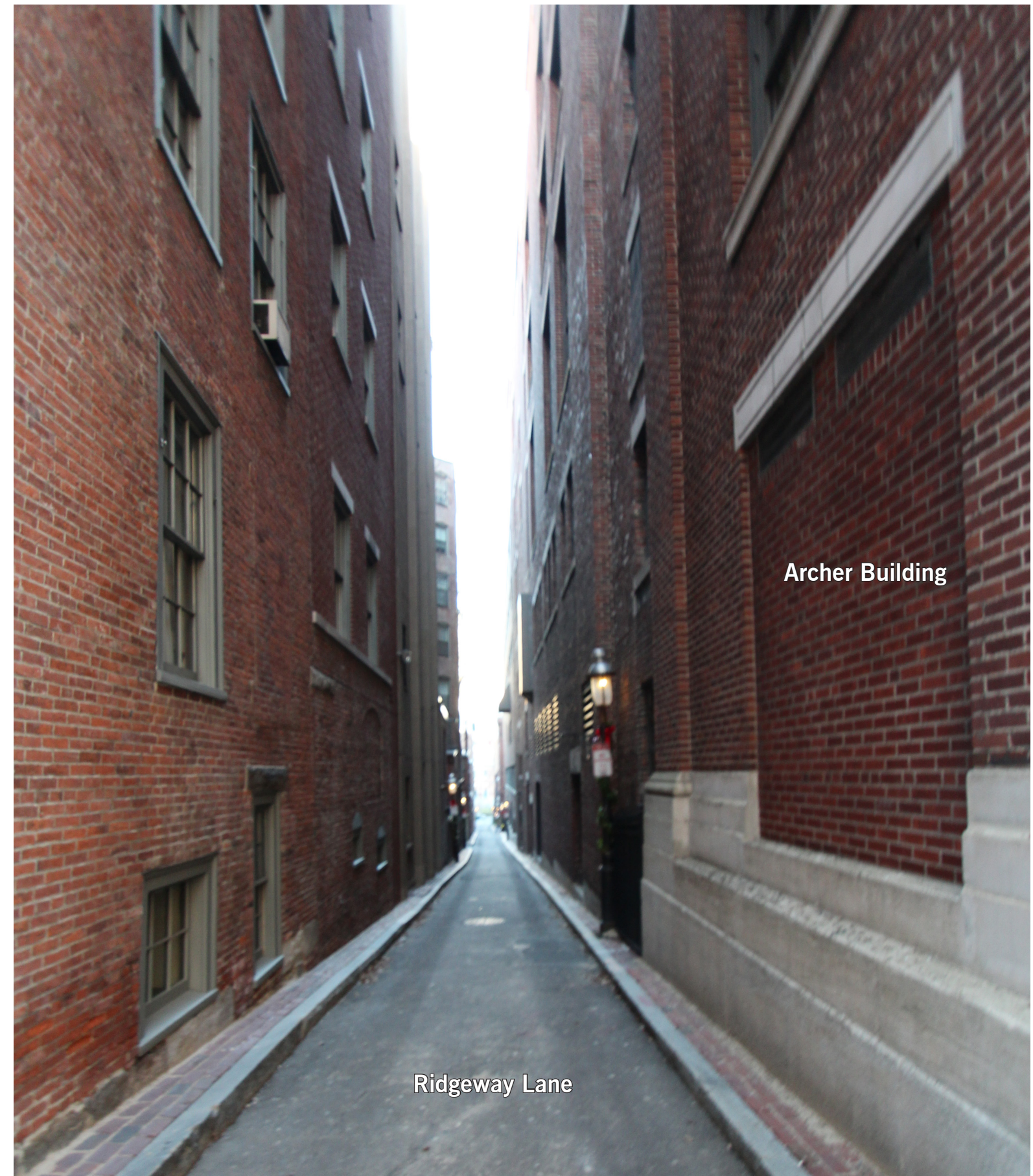
November 30, 2016

DEVELOPER : JDMD Owner, LLC

ARCHITECT : The Architectural Team

tat | the architectural team

14188





Donahue Building from Temple Street Park



Donahue Building from Temple Street Park



Temple Street Park



Donahue Building & North Alley



Donahue Building

North Alley



Donahue Building

Ridgeway Lane



Donahue Building

Temple Street





Archer | Donahue
Boston, MA

Aerial Perspective
Existing Conditions

November 30, 2016

DEVELOPER : JDMD Owner, LLC

ARCHITECT : The Architectural Team

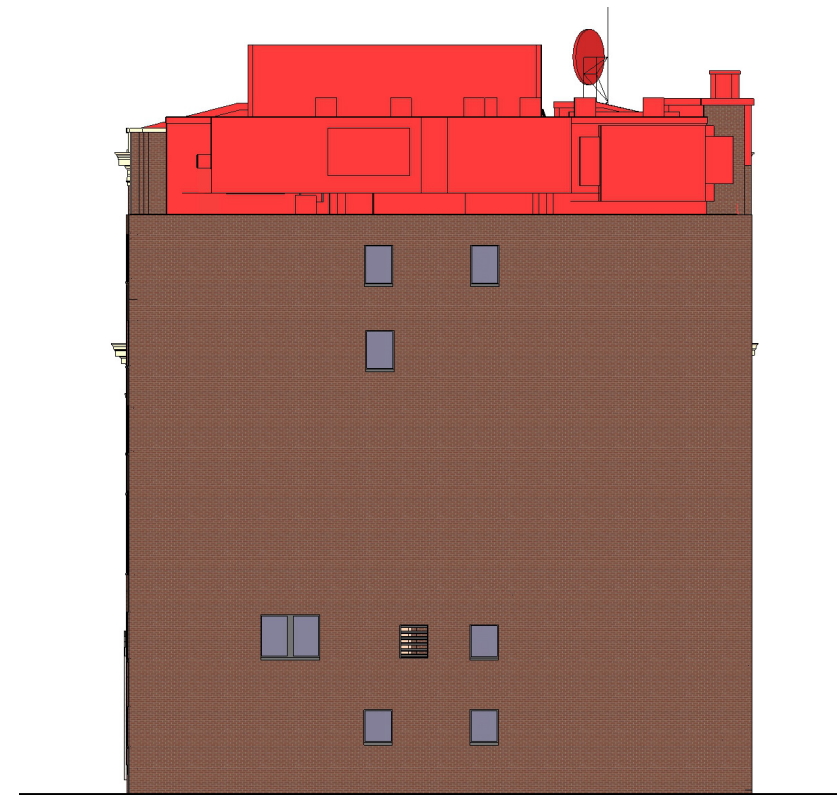
tat | the architectural team

14188





Temple Street Existing Elevation



Alley (North) Existing Elevation



Temple Street Elevation



Alley (North) Elevation



Temple Street Elevation



Alley (North) Elevation



Ridgeway Lane Existing Elevation



Derne Street Existing Elevation



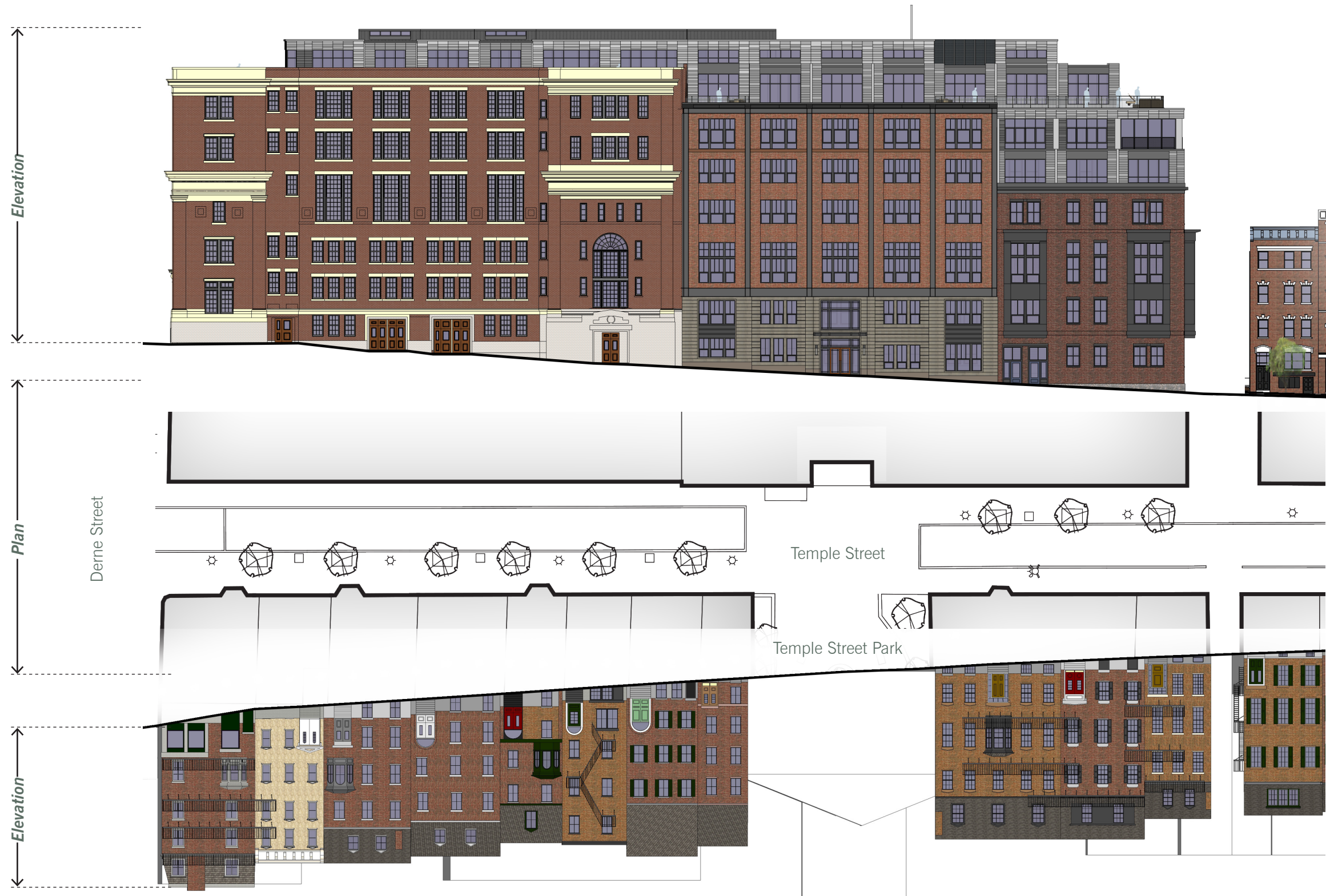
Ridgeway Lane Elevation

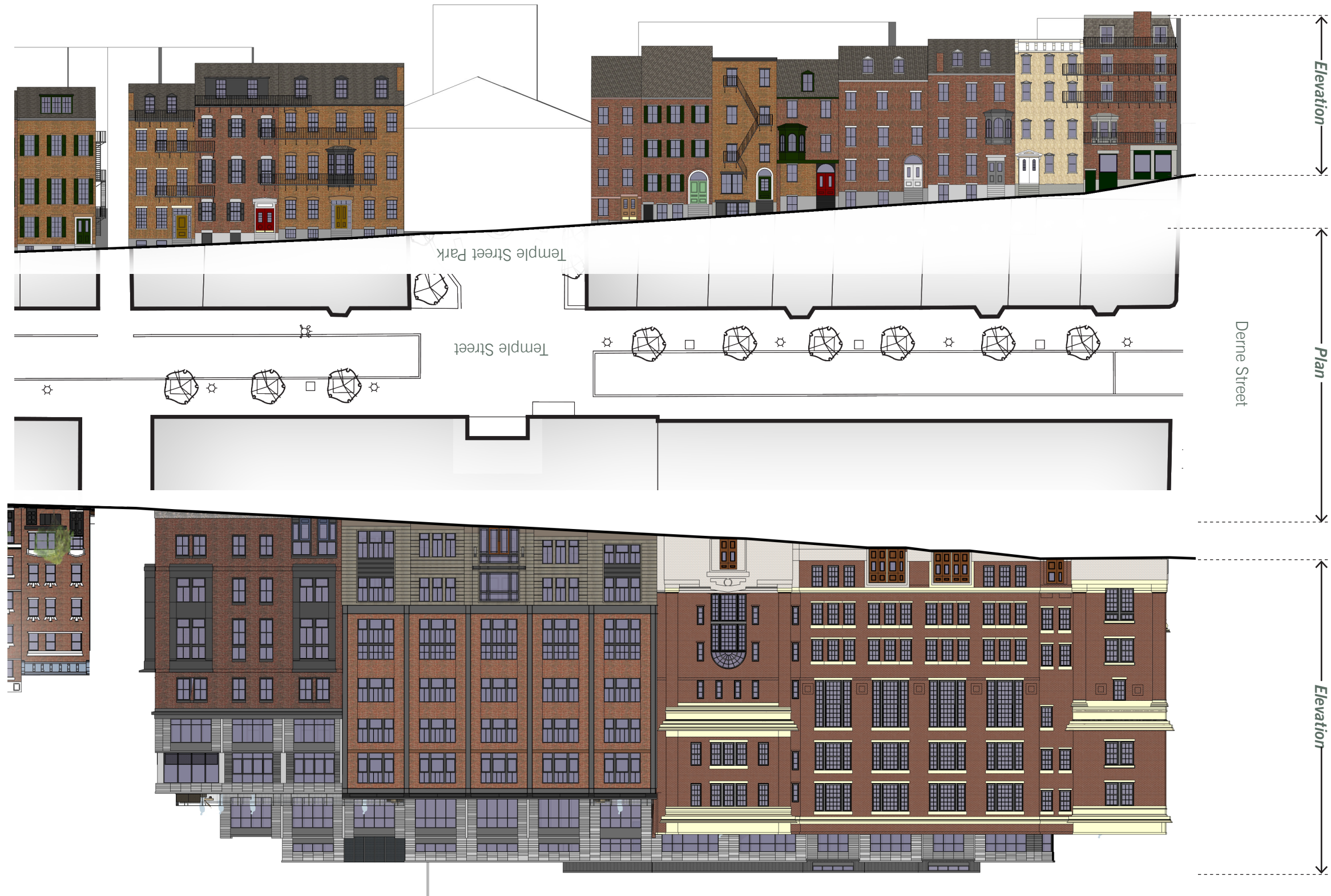


Derne Street Elevation

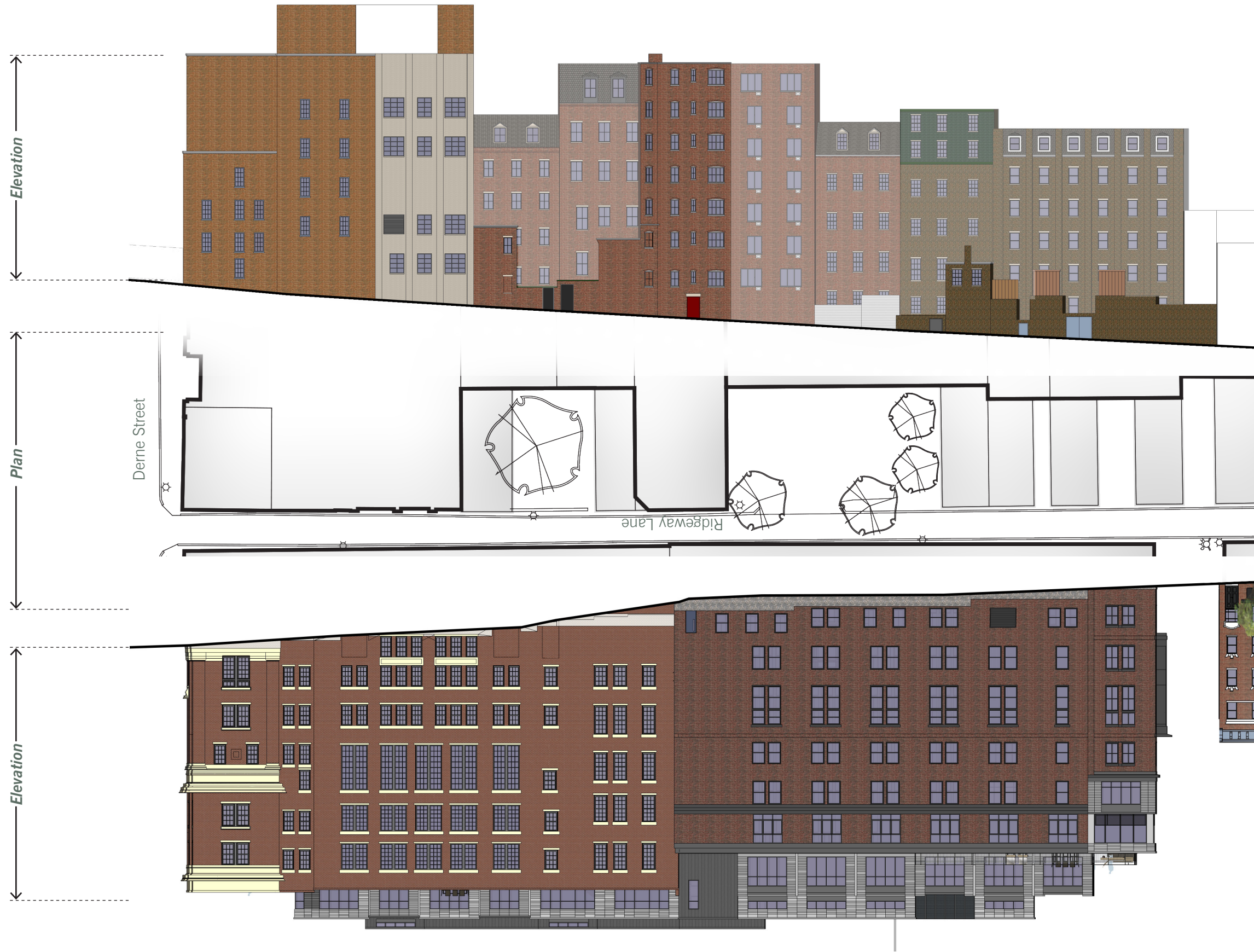


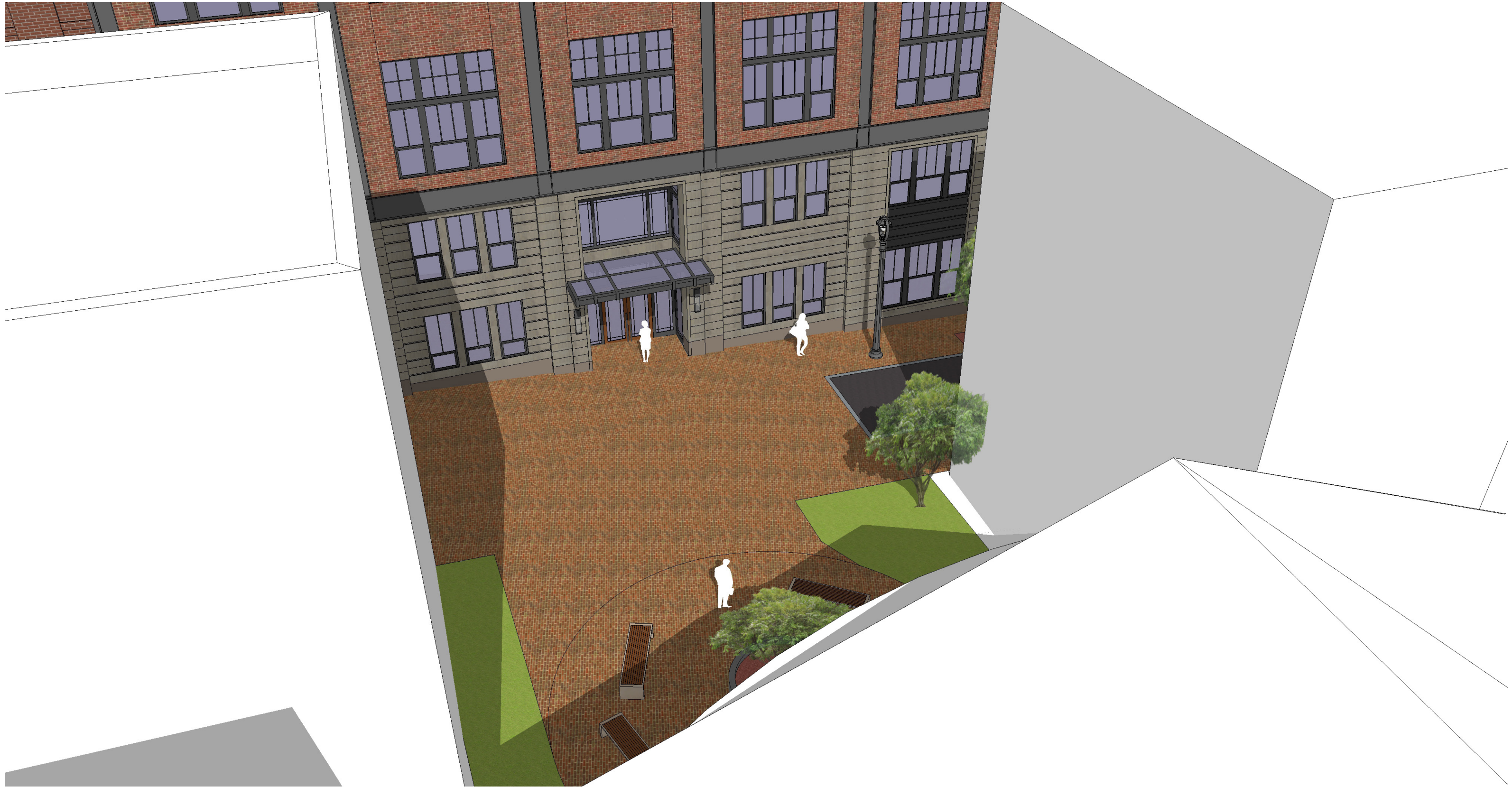


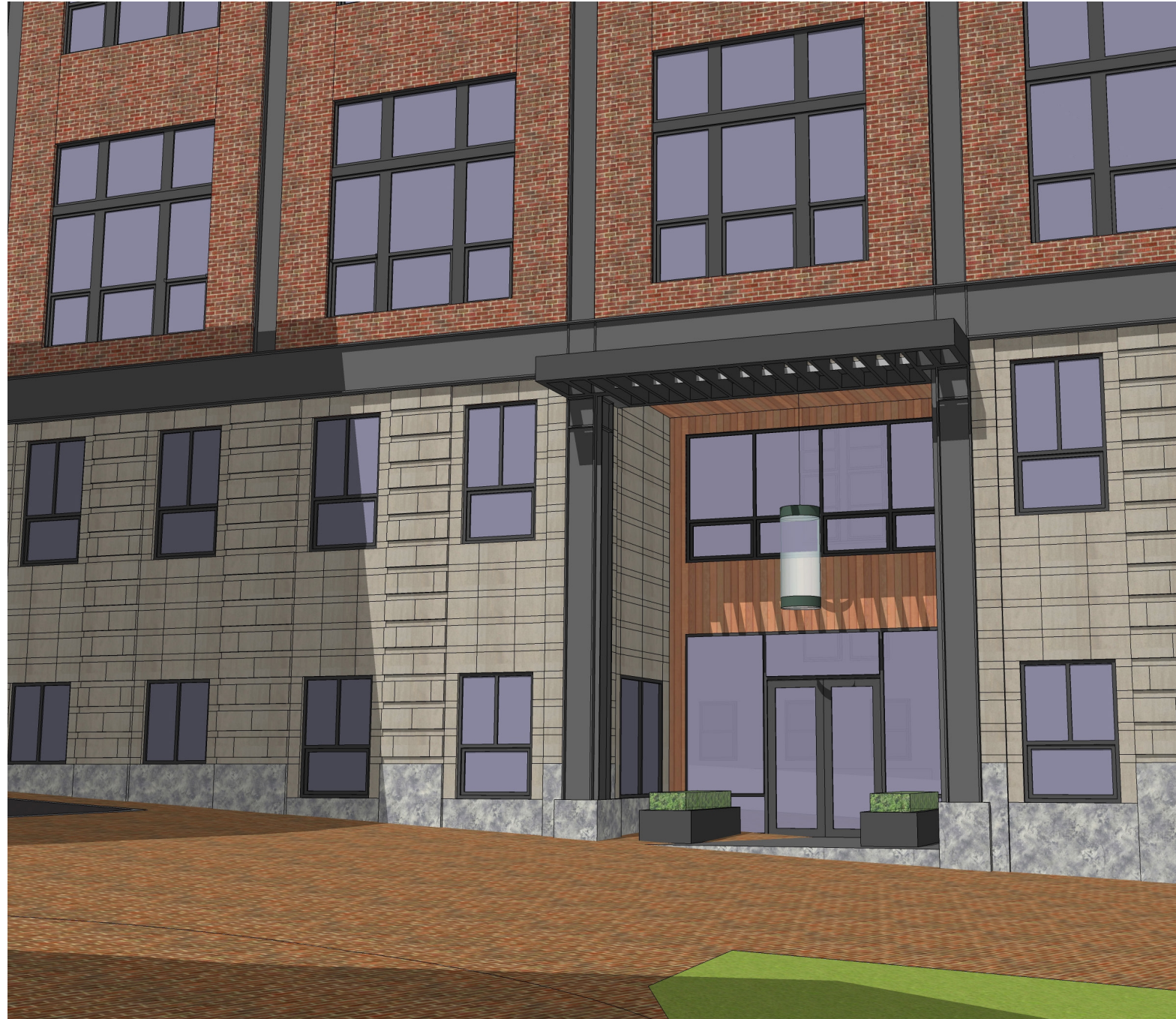




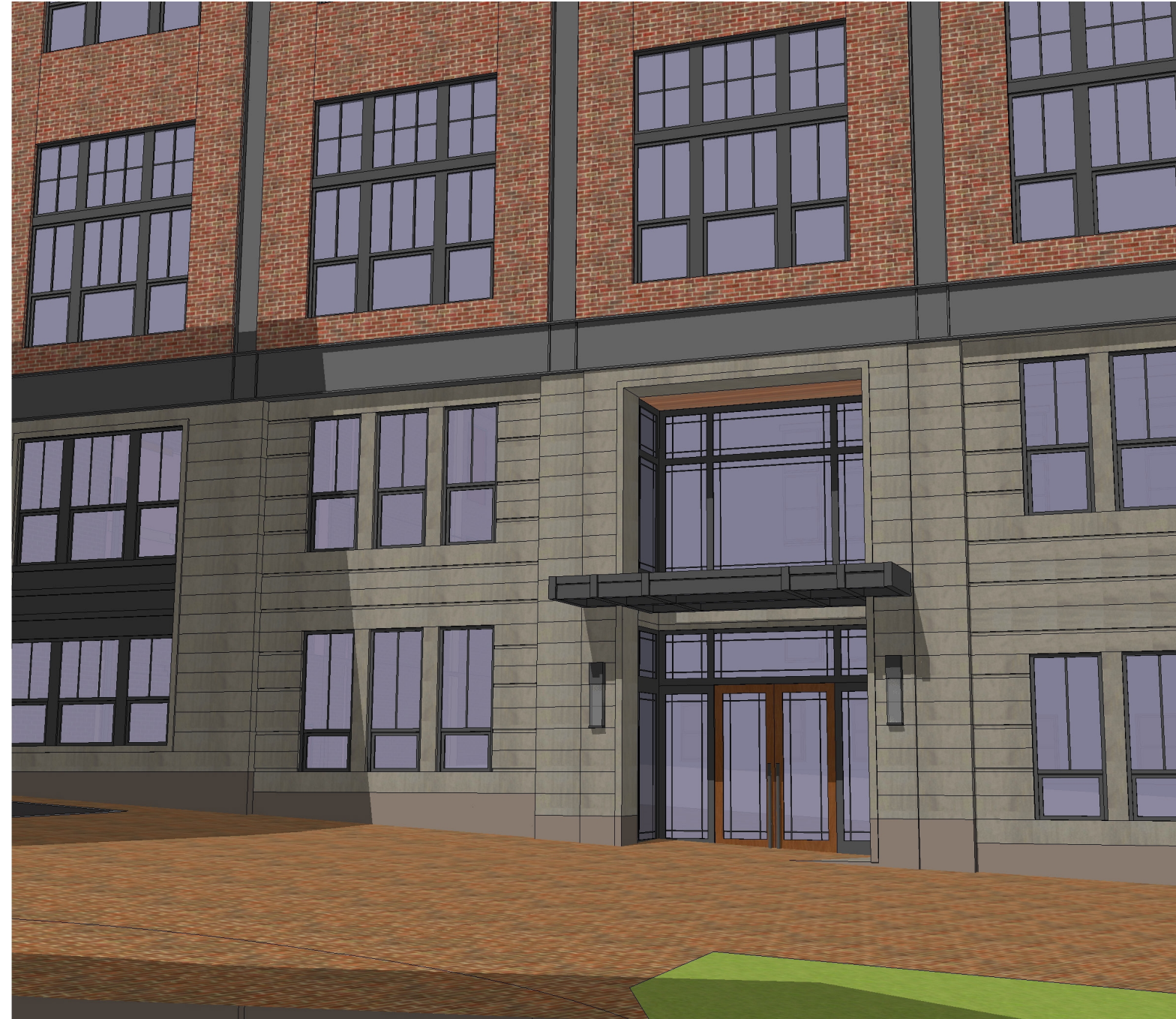








Previous Design



Proposed Design



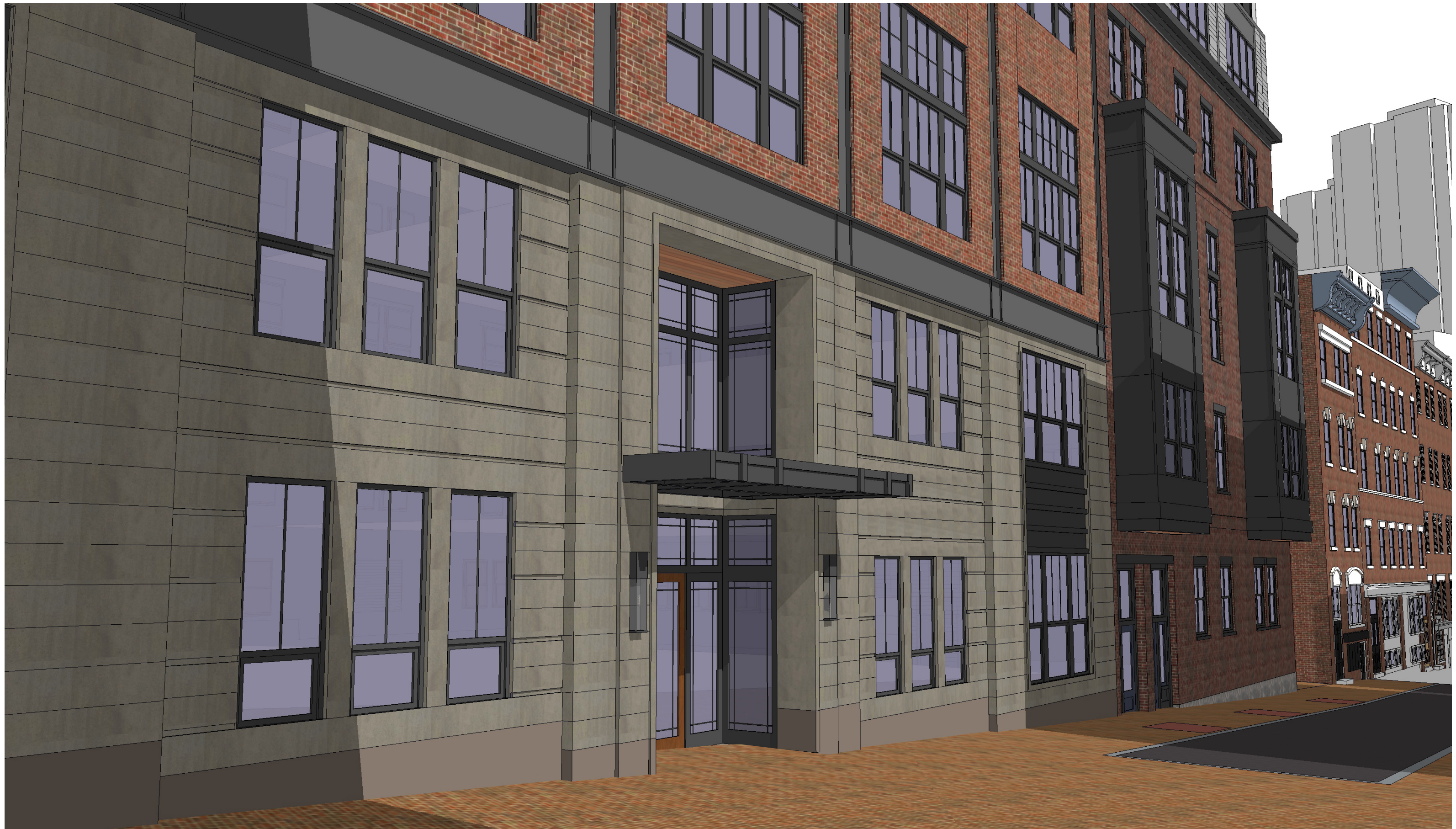






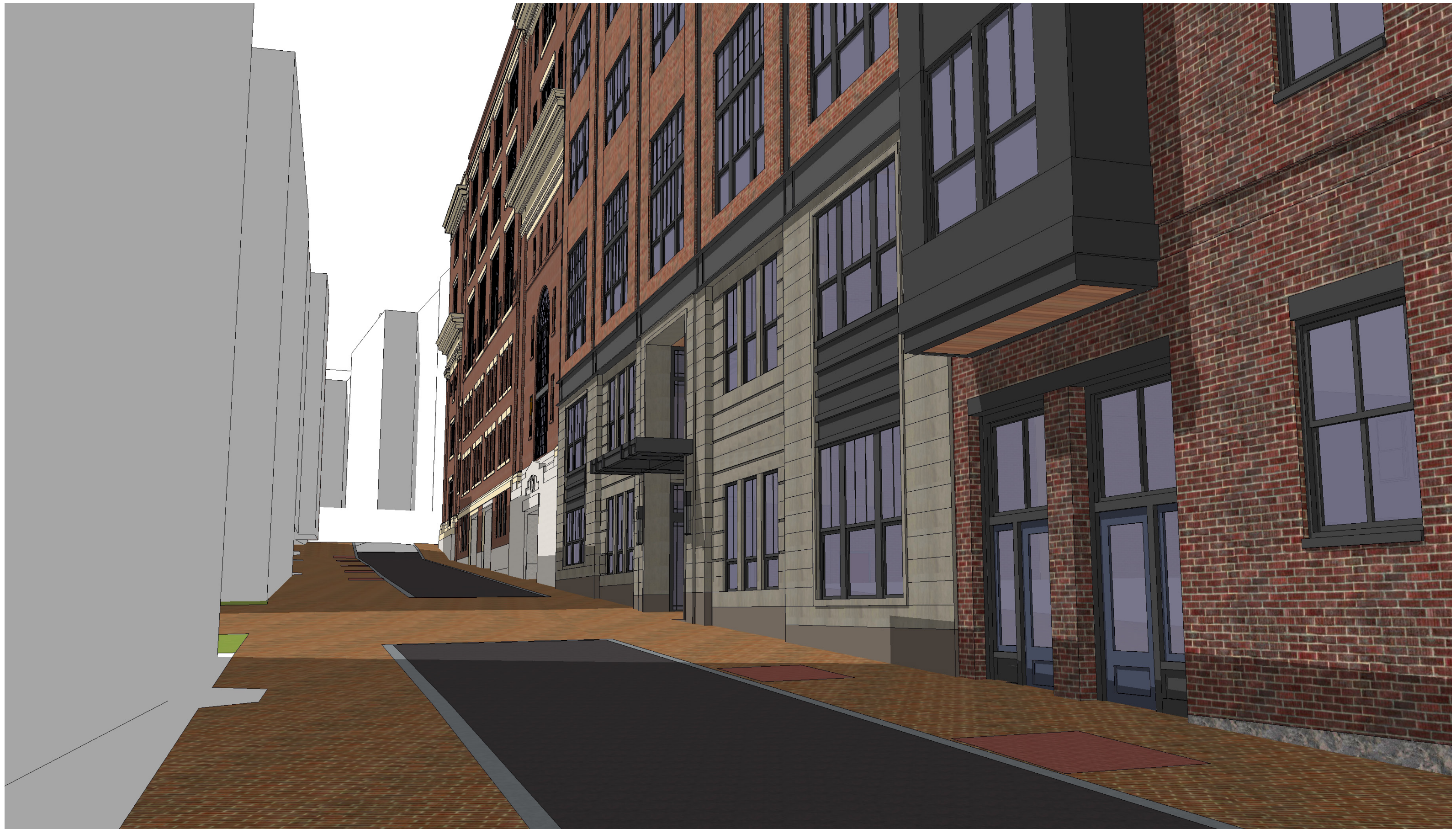


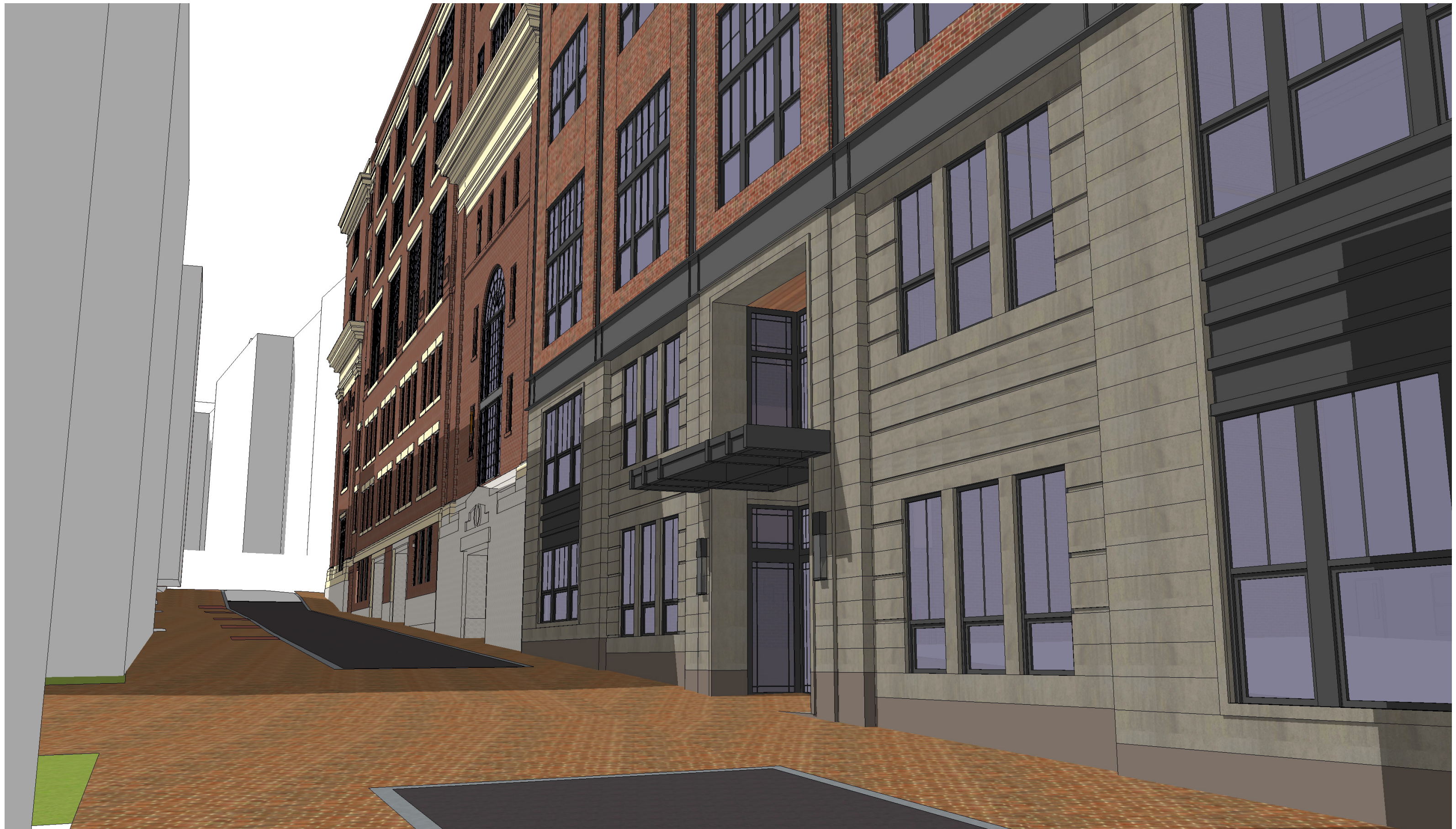












Archer | Donahue
Boston, MA

Proposed View of Entry
Looking from North

November 30, 2016

DEVELOPER : JDMD Owner, LLC

ARCHITECT : The Architectural Team

tat | the architectural team

14188









Archer | Donahue
Boston, MA

Material Palette Inspiration
Metal Bay Windows

November 30, 2016
DEVELOPER : JDMD Owner, LLC
ARCHITECT : The Architectural Team

tat | the architectural team

Metal Reveal



Representative Example

Metal Reveal



Representative Example

Metal Reveal



Proposed Rendering

Metal Reveal

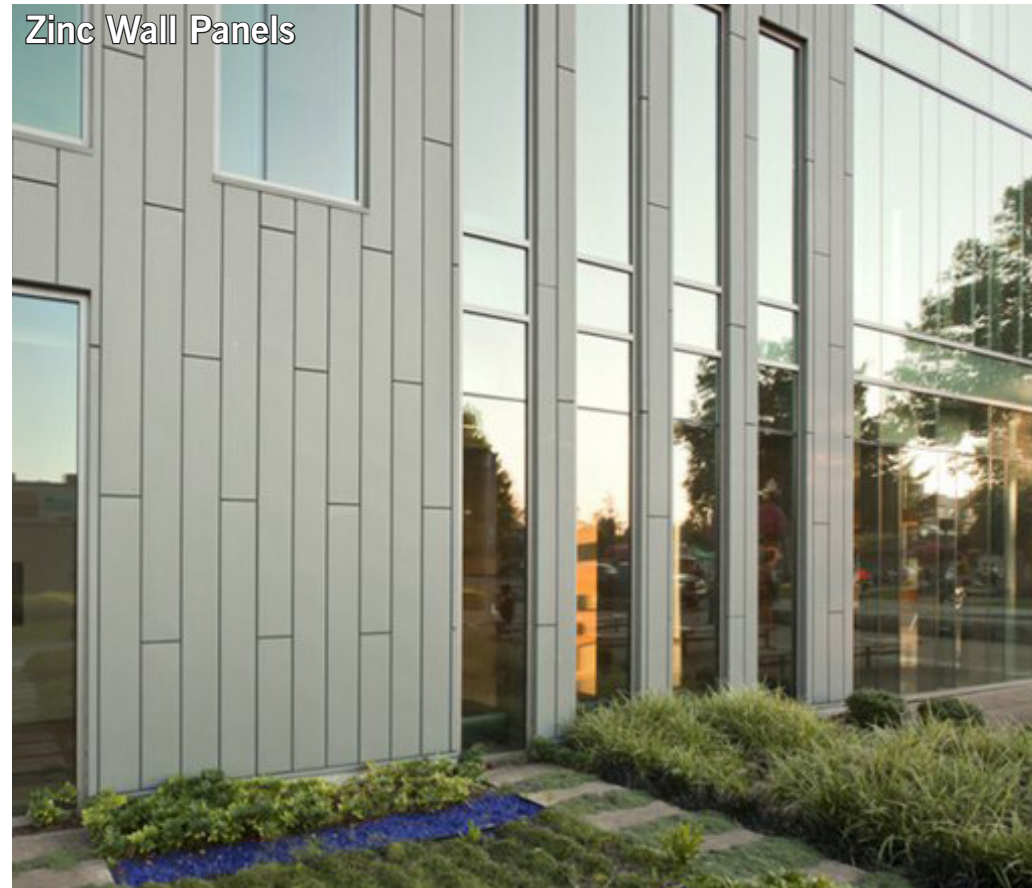


Representative Example





Zinc Wall Panels



Zinc Wall Panels



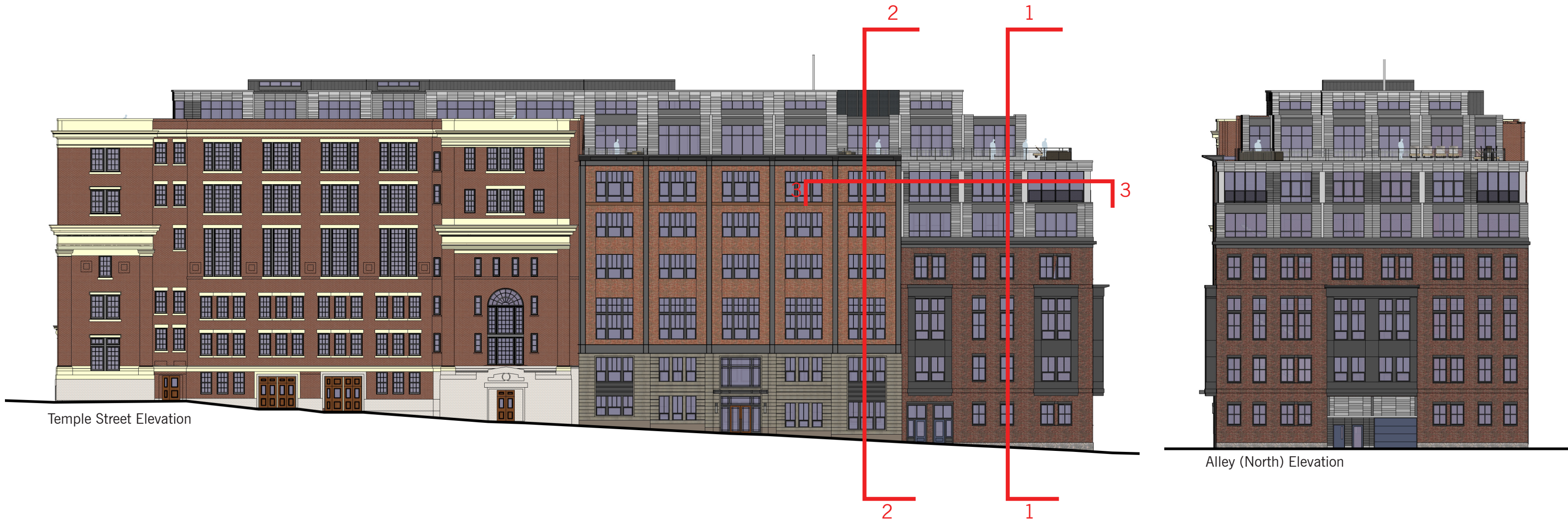
Zinc Wall Panels



Folding Glass Doors

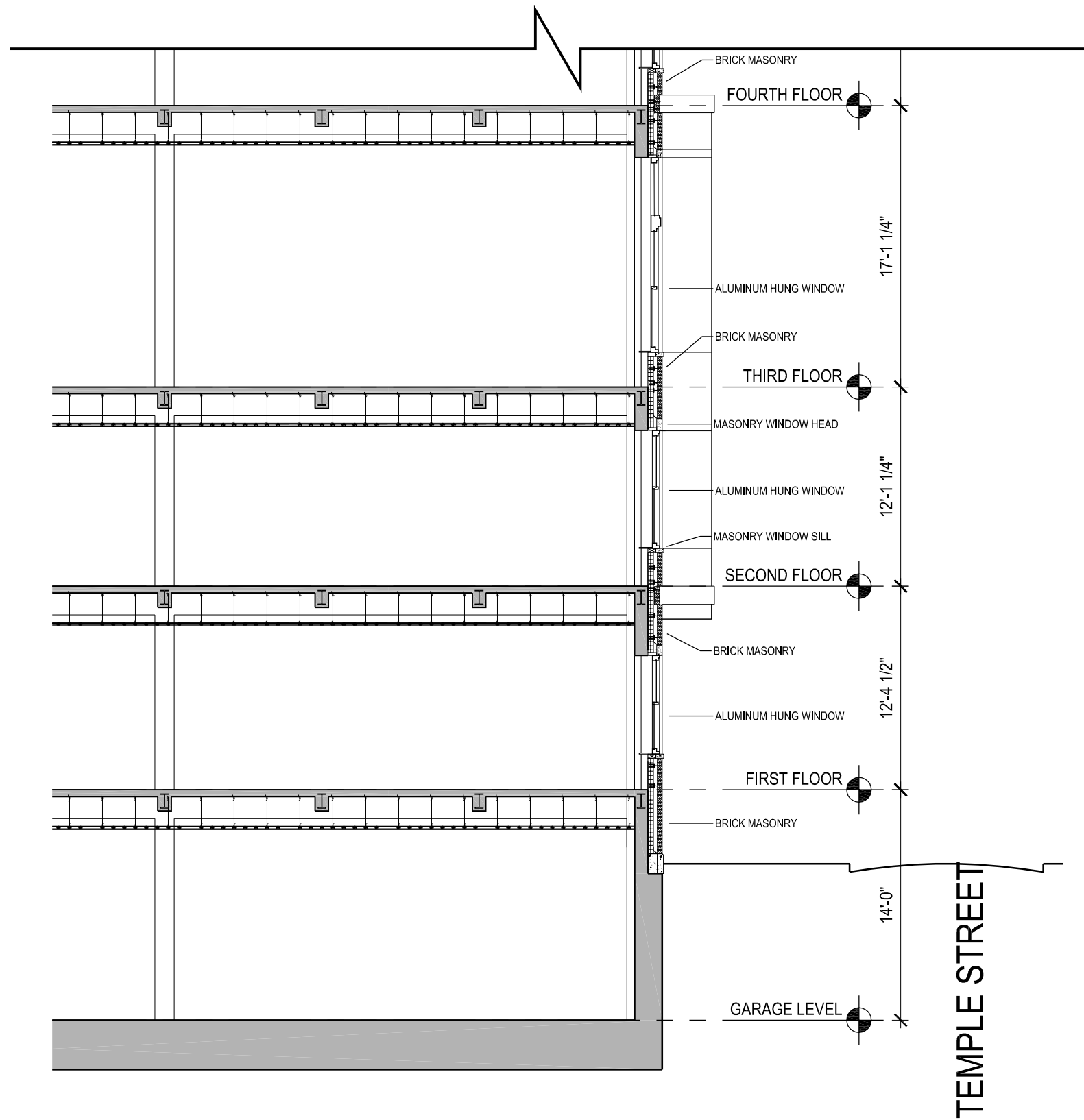
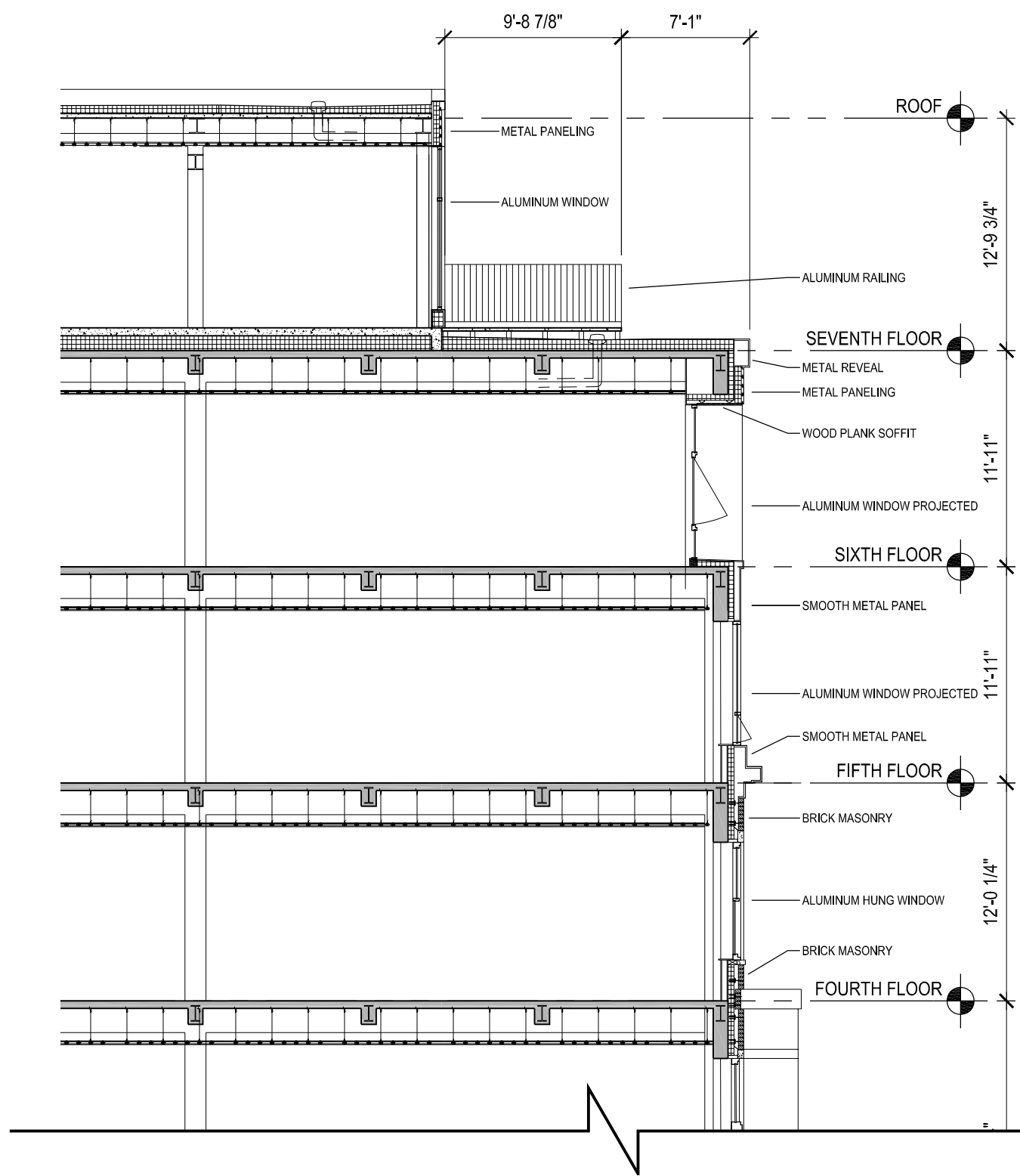


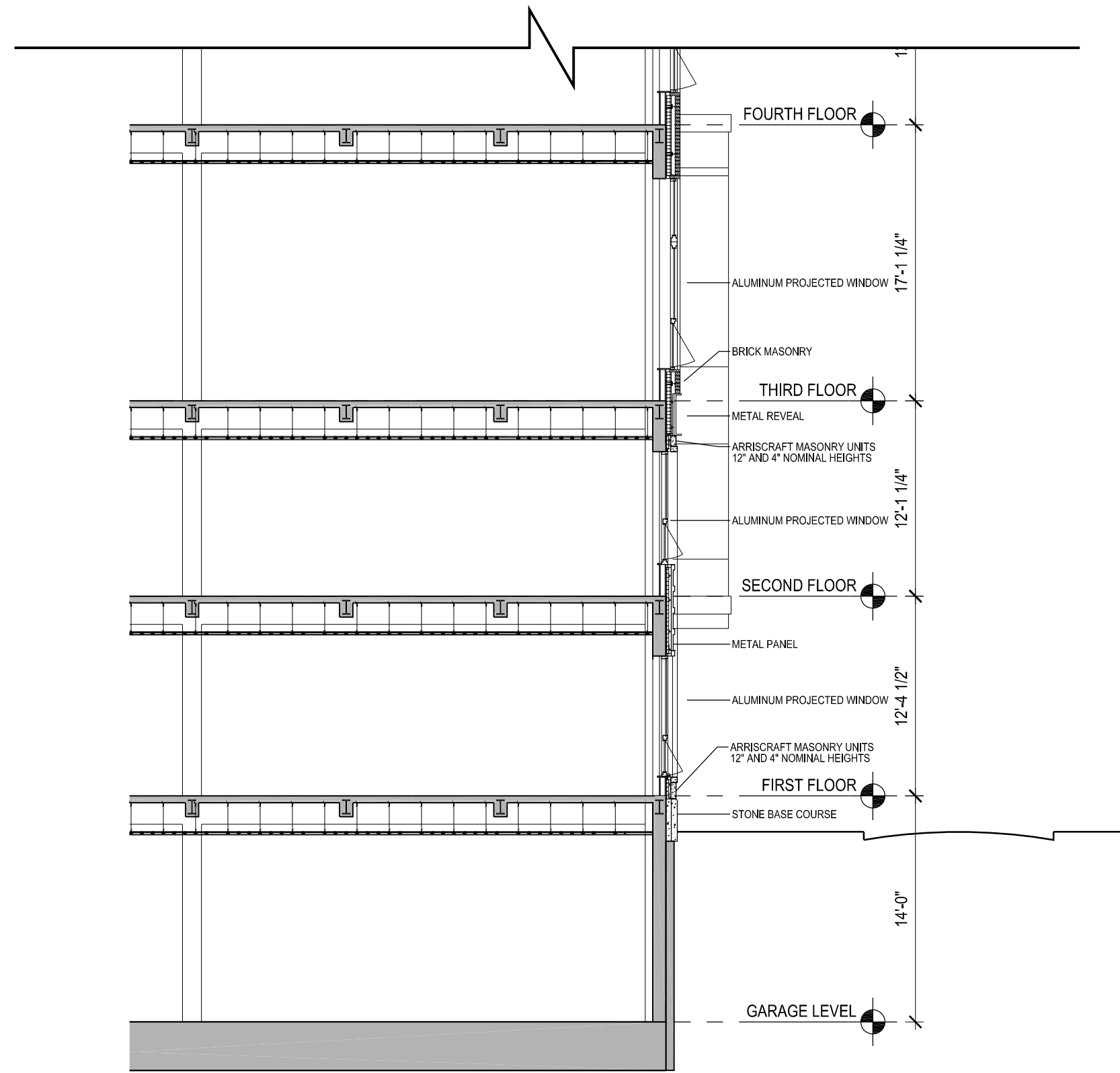
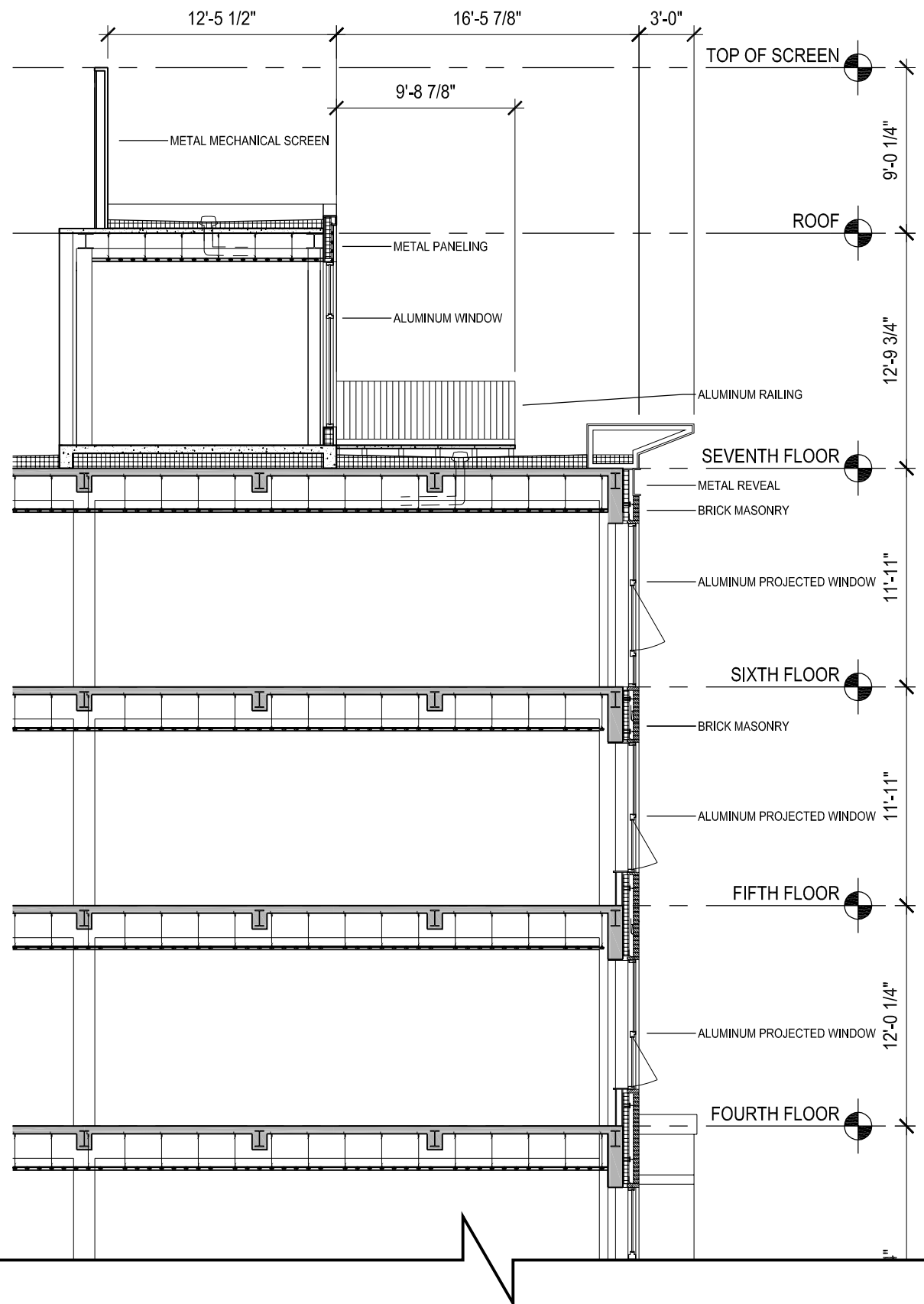
Folding Glass Doors

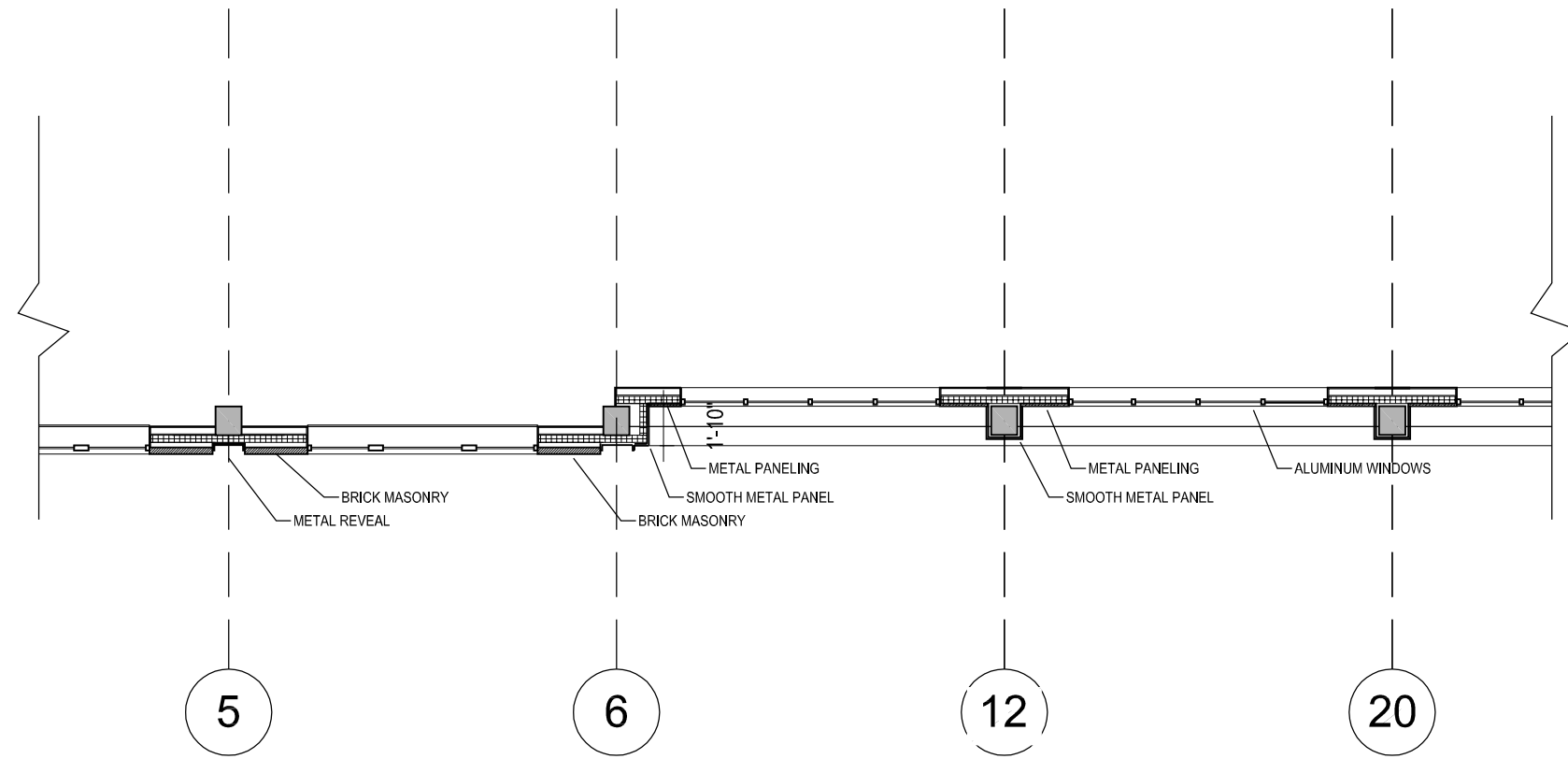


Temple Street Elevation

Alley (North) Elevation



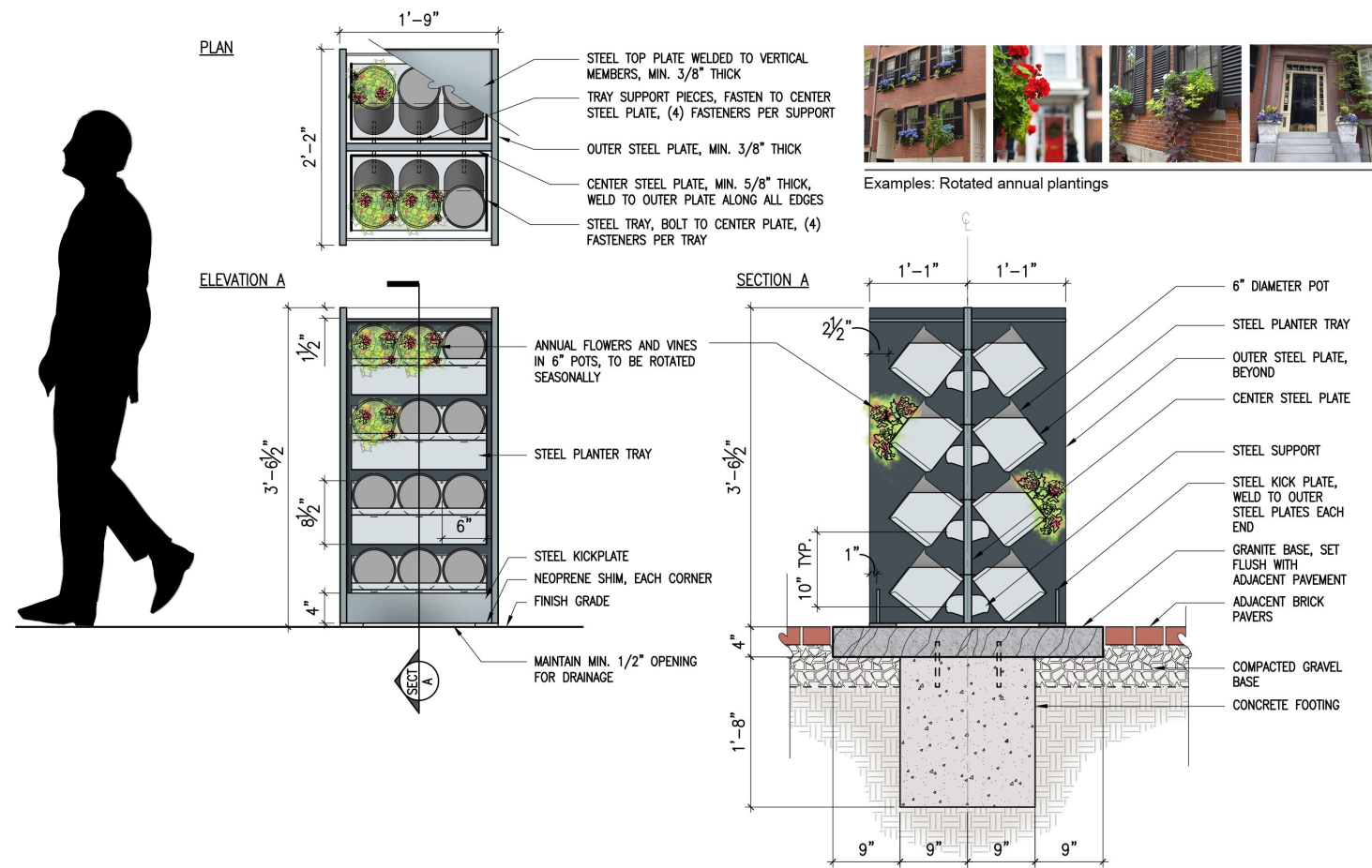




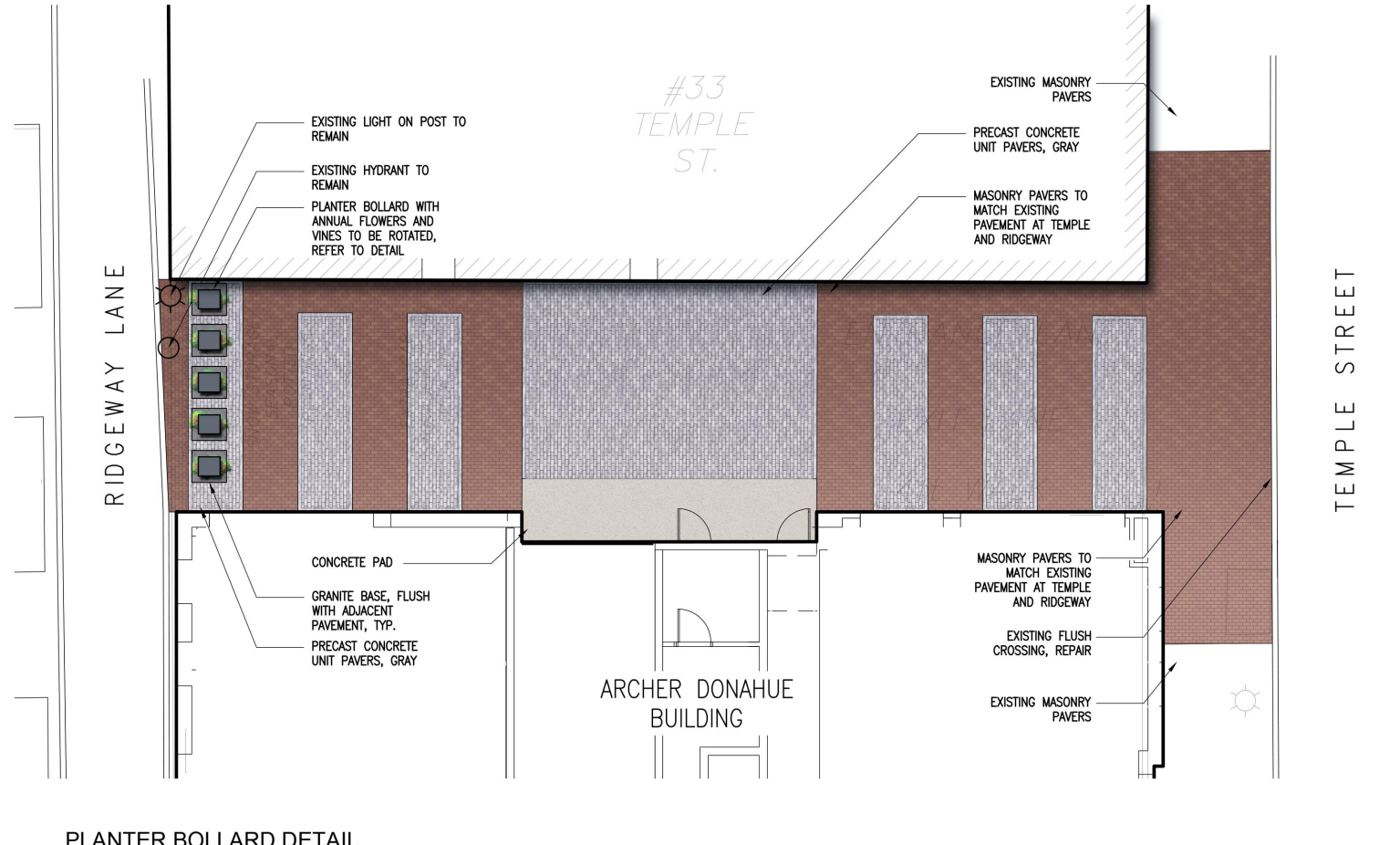




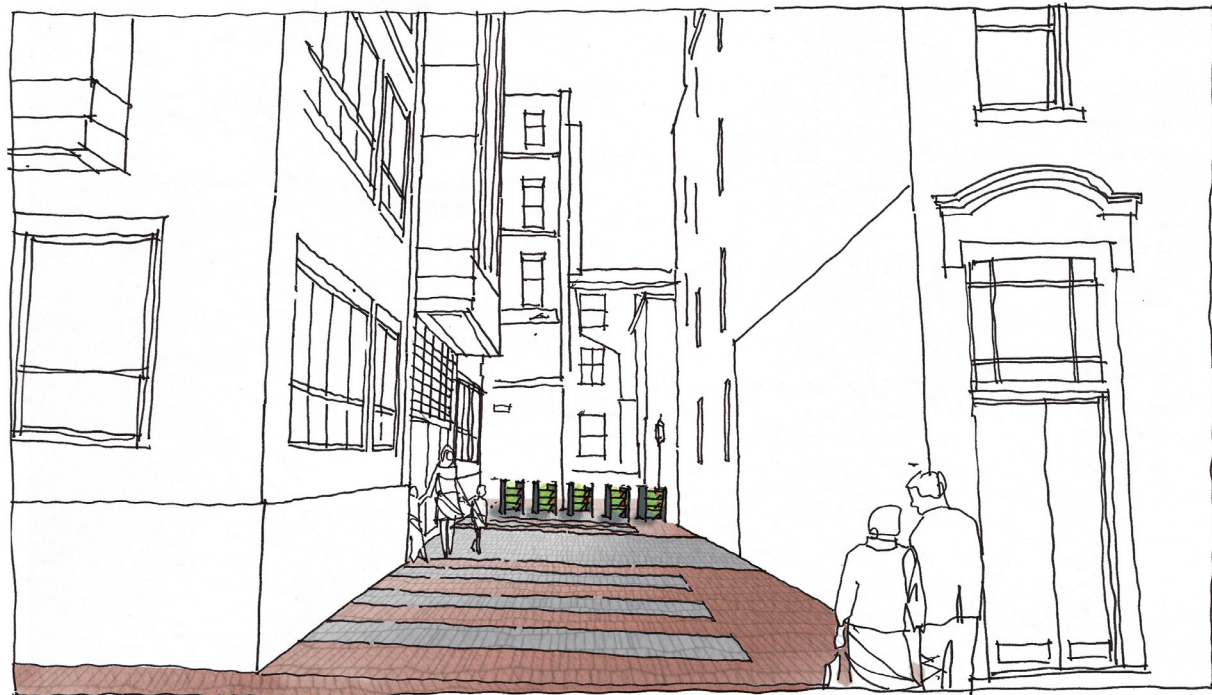




PLANTER BOLLARD DETAIL
Archer Donahue Building, Boston, MA



PLANTER BOLLARD DETAIL
Archer Donahue Building, Boston, MA



VIEW WEST FROM TEMPLE STREET
Archer Donahue Building, Boston, MA



Copley Wolff Design Group
Landscape Architects & Planners

Archer | Donahue
Boston, MA

North Alley Landscape Plan

November 30, 2016

DEVELOPER : JDMD Owner, LLC

ARCHITECT : The Architectural Team

tat | the architectural team



Archer | Donahue
Boston, MA

Archer Circa 1920
Original Windows

November 30, 2016

DEVELOPER : JDMD Owner, LLC

ARCHITECT : The Architectural Team

tat | the architectural team

14188



Archer | Donahue
Boston, MA

Archer Circa 1937
2 Stories Added with Sign

November 30, 2016

DEVELOPER : JDMD Owner, LLC

ARCHITECT : The Architectural Team

tat | the architectural team

14188



Archer | Donahue
Boston, MA

Archer Circa 2016
Sign & Pediment Removed
& Windows Replaced

November 30, 2016

DEVELOPER : JDMD Owner, LLC

ARCHITECT : The Architectural Team

tat | the architectural team

14188



Archer | Donahue
Boston, MA

Archer Original Windows

November 30, 2016

DEVELOPER : JDMD Owner, LLC

ARCHITECT : The Architectural Team

tat | the architectural team

14188

Original Steel Windows

Replacement Windows





Archer | Donahue
Boston, MA

Donahue Construction
Circa 1965

November 30, 2016

DEVELOPER : JDMD Owner, LLC

ARCHITECT : The Architectural Team

tat | the architectural team

14188



Archer | Donahue
Boston, MA

Donahue Construction
Circa 1965

November 30, 2016

DEVELOPER : JDMD Owner, LLC

ARCHITECT : The Architectural Team

tat | the architectural team

14188



Archer | Donahue
Boston, MA

Archer Circa 1920
Steel Windows

November 30, 2016

DEVELOPER : JDMD Owner, LLC

ARCHITECT : The Architectural Team

tat | the architectural team

14188

















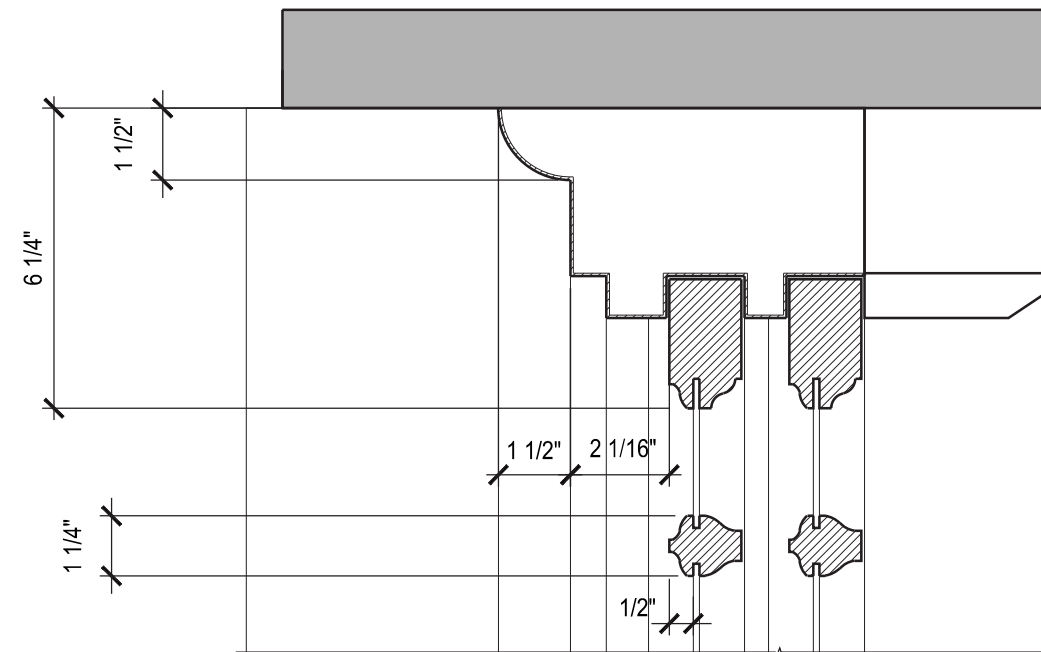
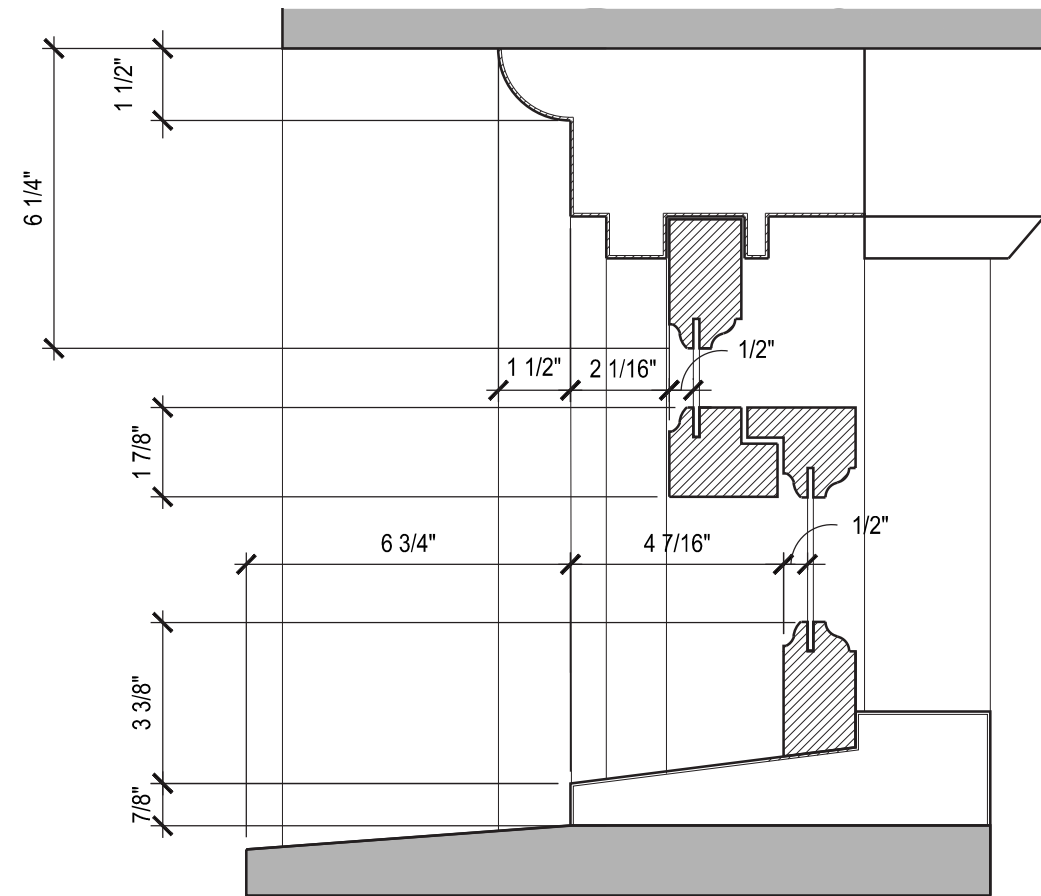
Archer | Donahue
Boston, MA

Archer Circa 1937
Steel Windows

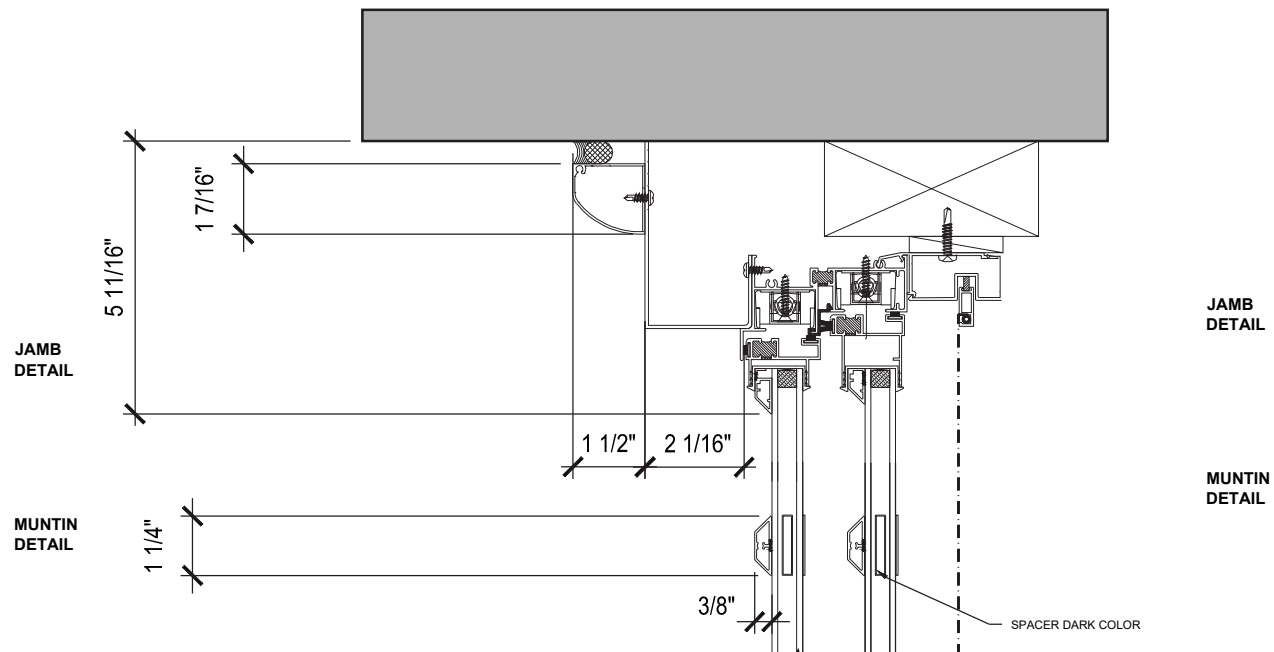
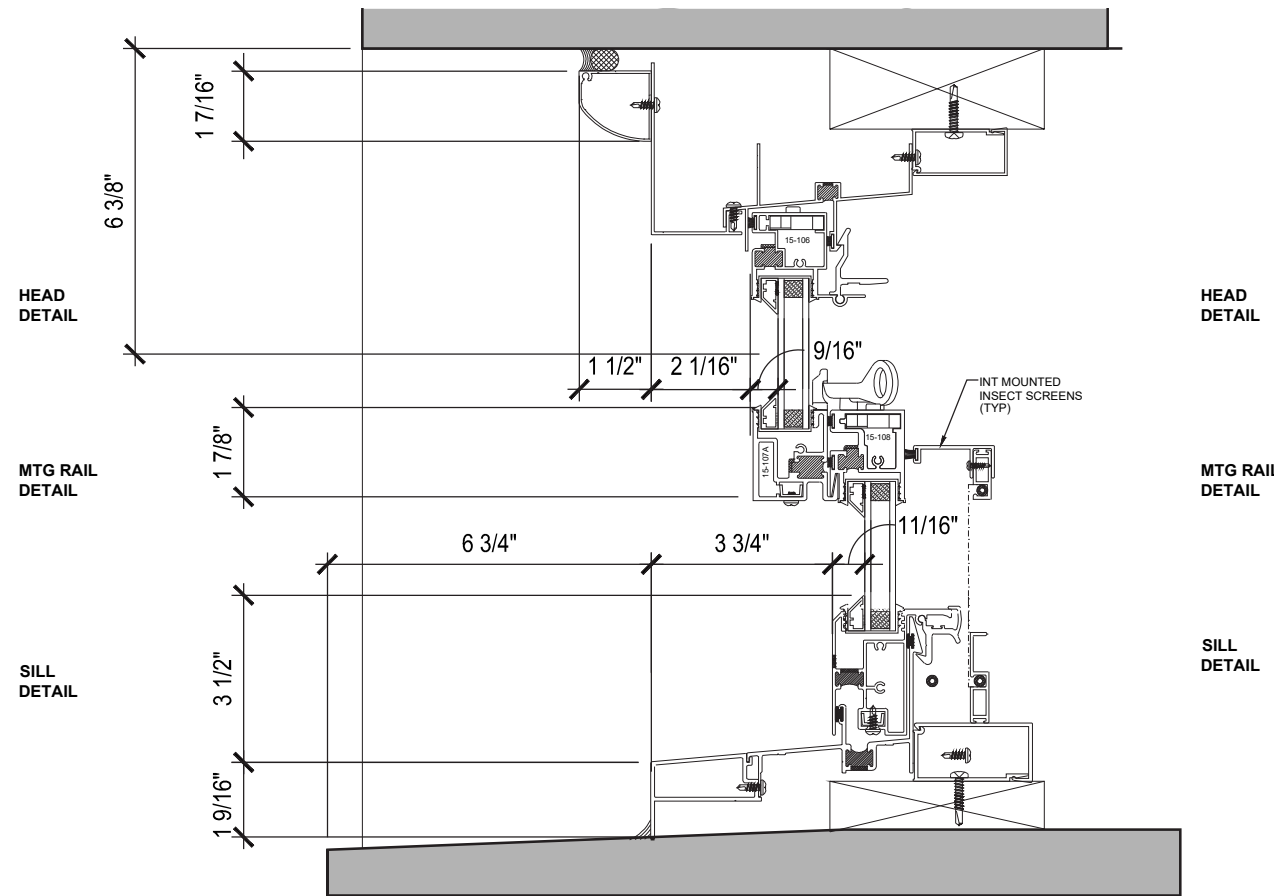
November 30, 2016
DEVELOPER : JDMD Owner, LLC
ARCHITECT : The Architectural Team

14188

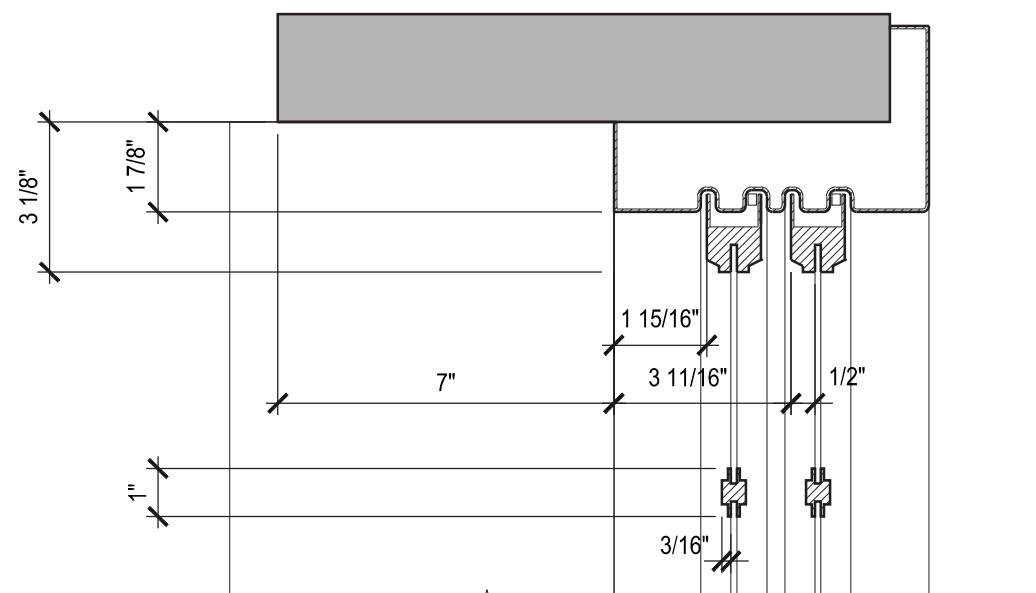
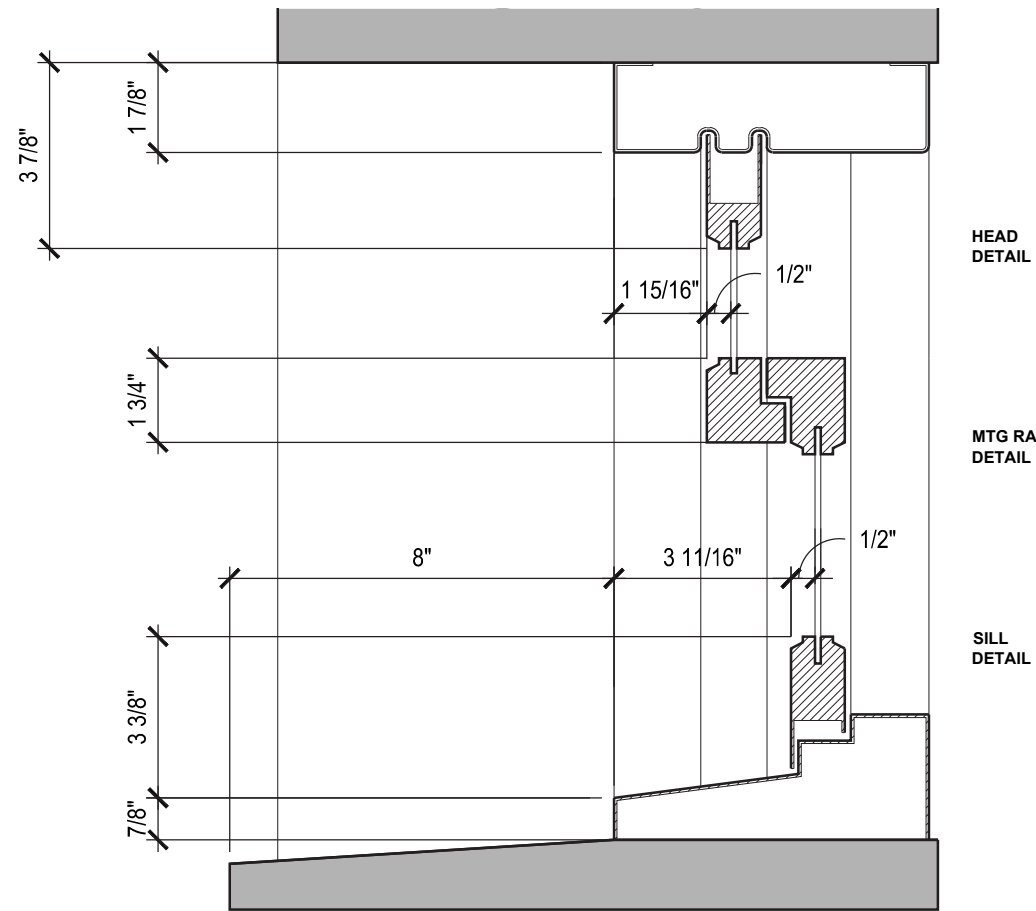
tat | the architectural team



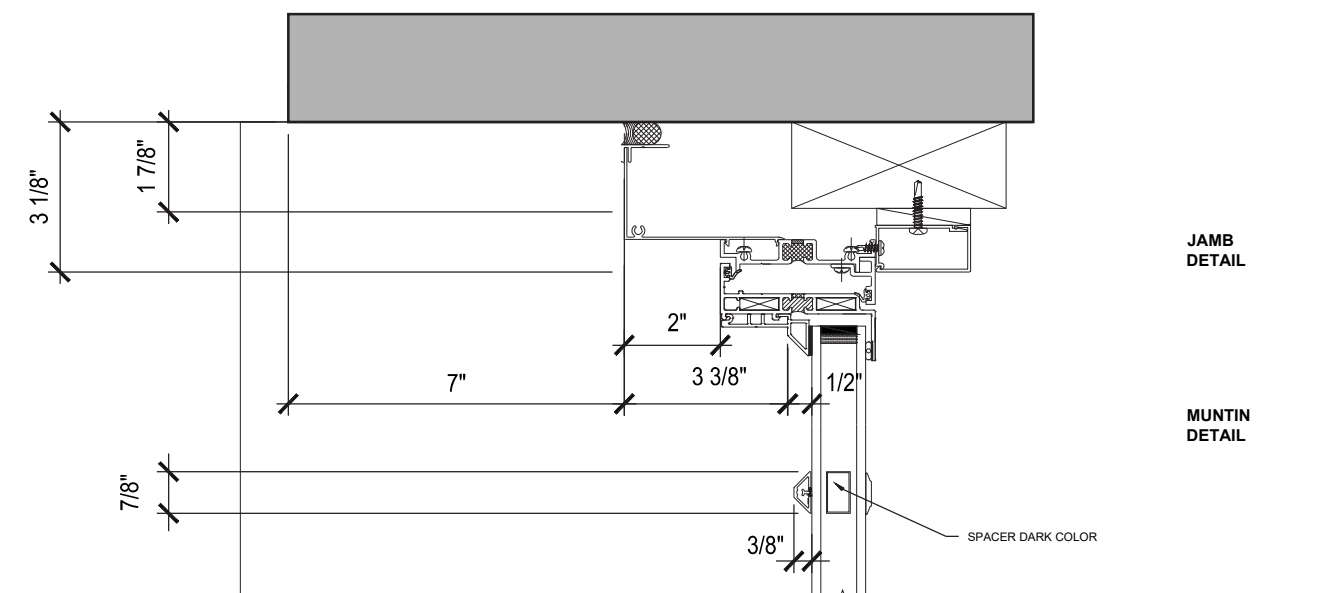
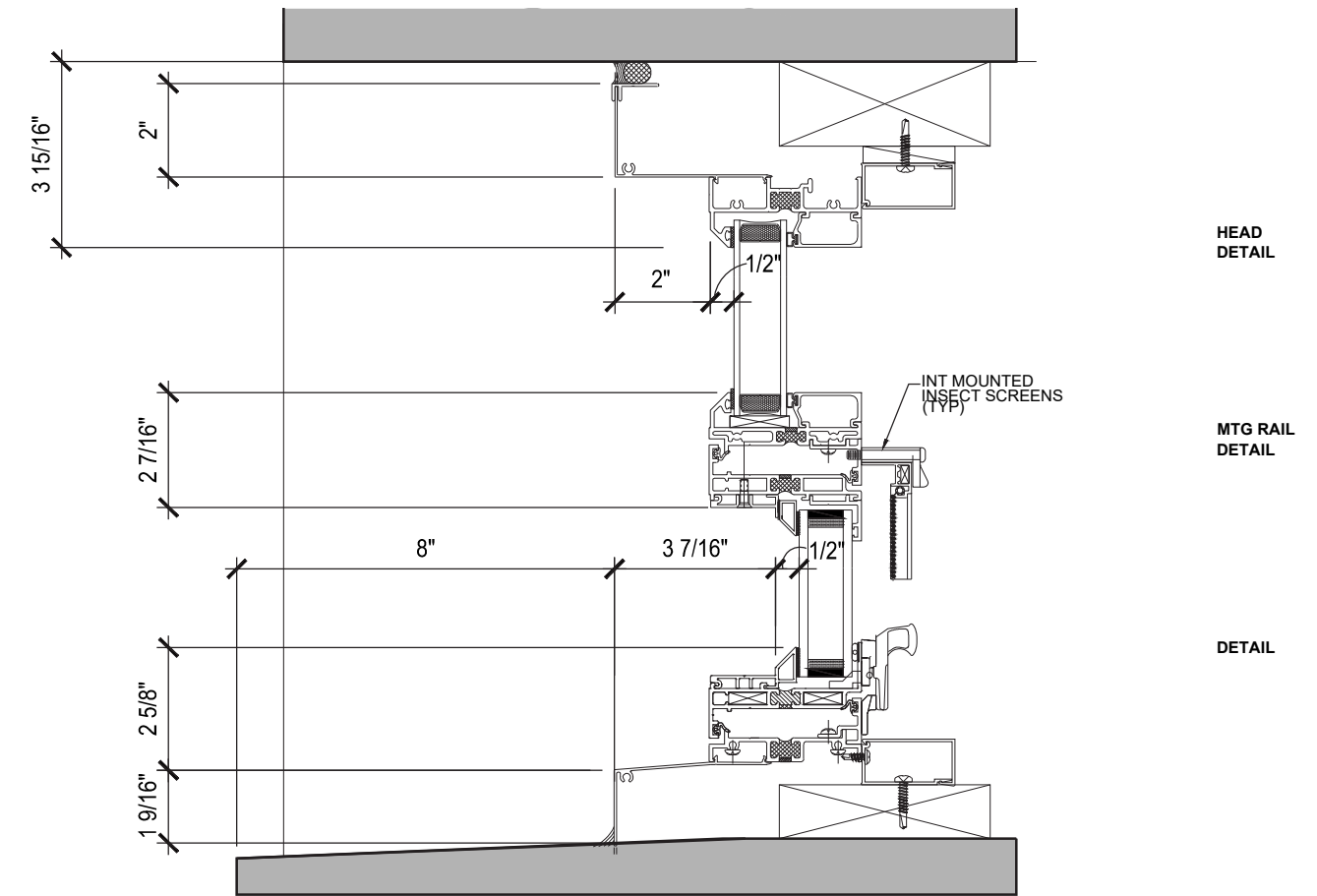
A1 TYPE A1 - WINDOW DETAILS - EXISTING
SCALE: 3" = 1'-0"



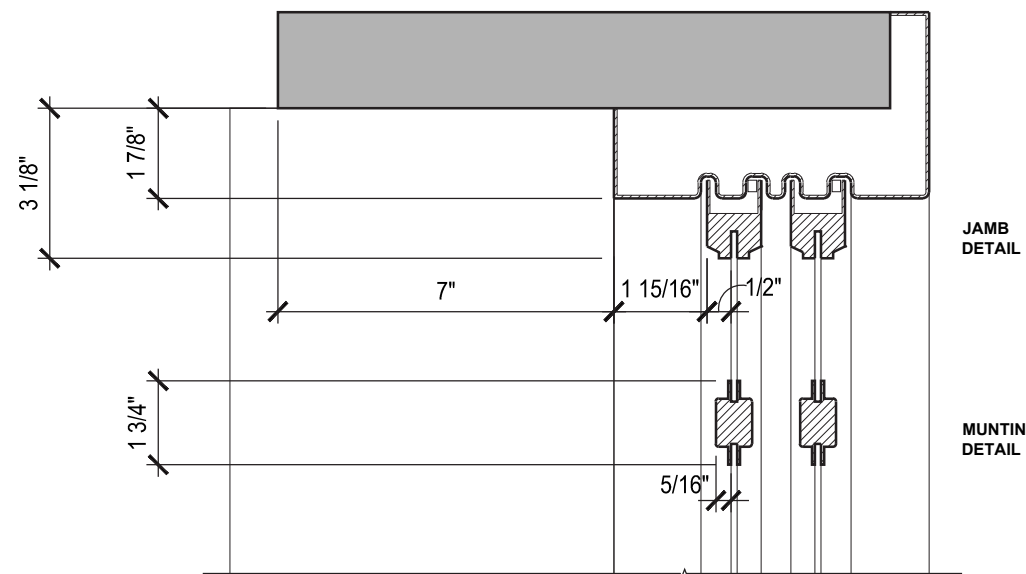
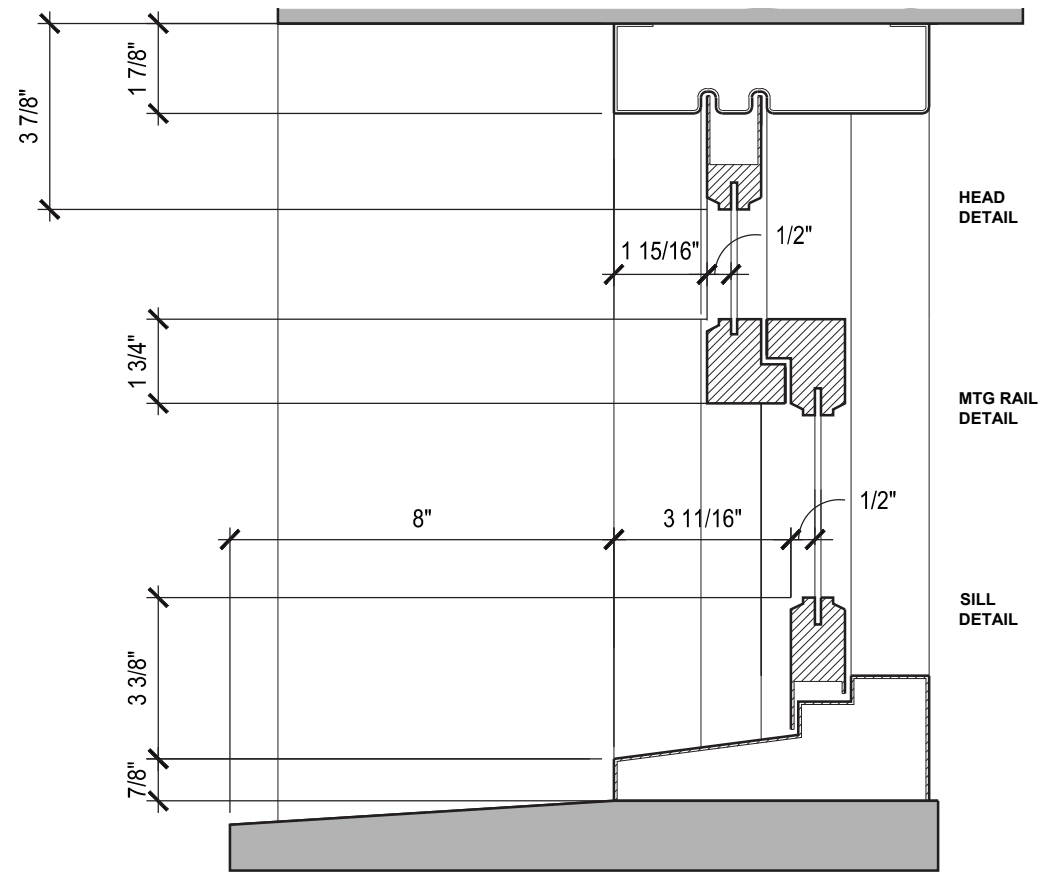
A1 TYPE A1 - WINDOW DETAILS- PROPOSED
SCALE: 3" = 1'-0"



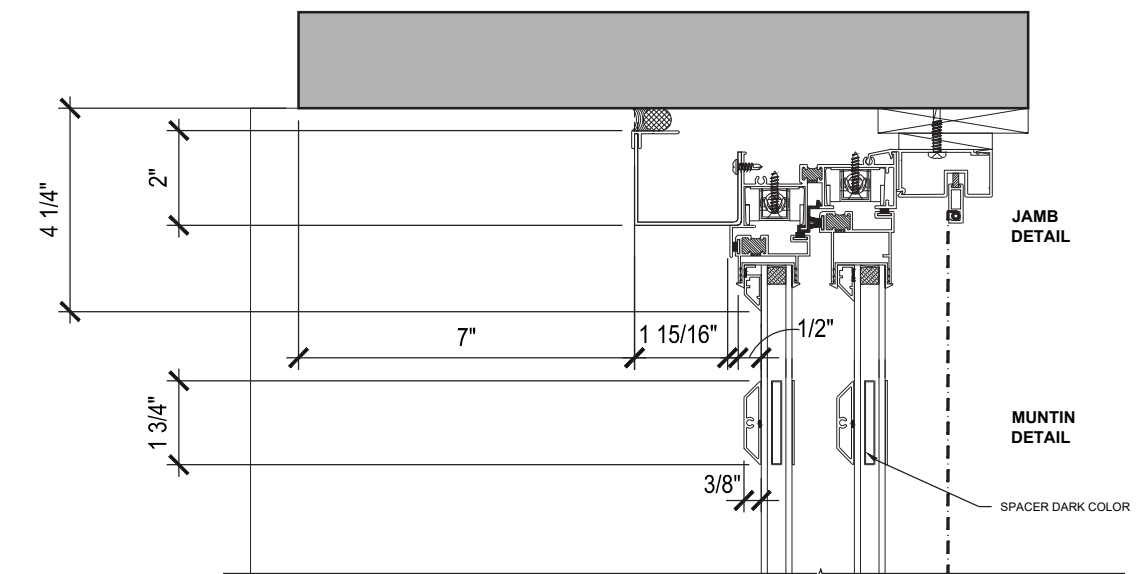
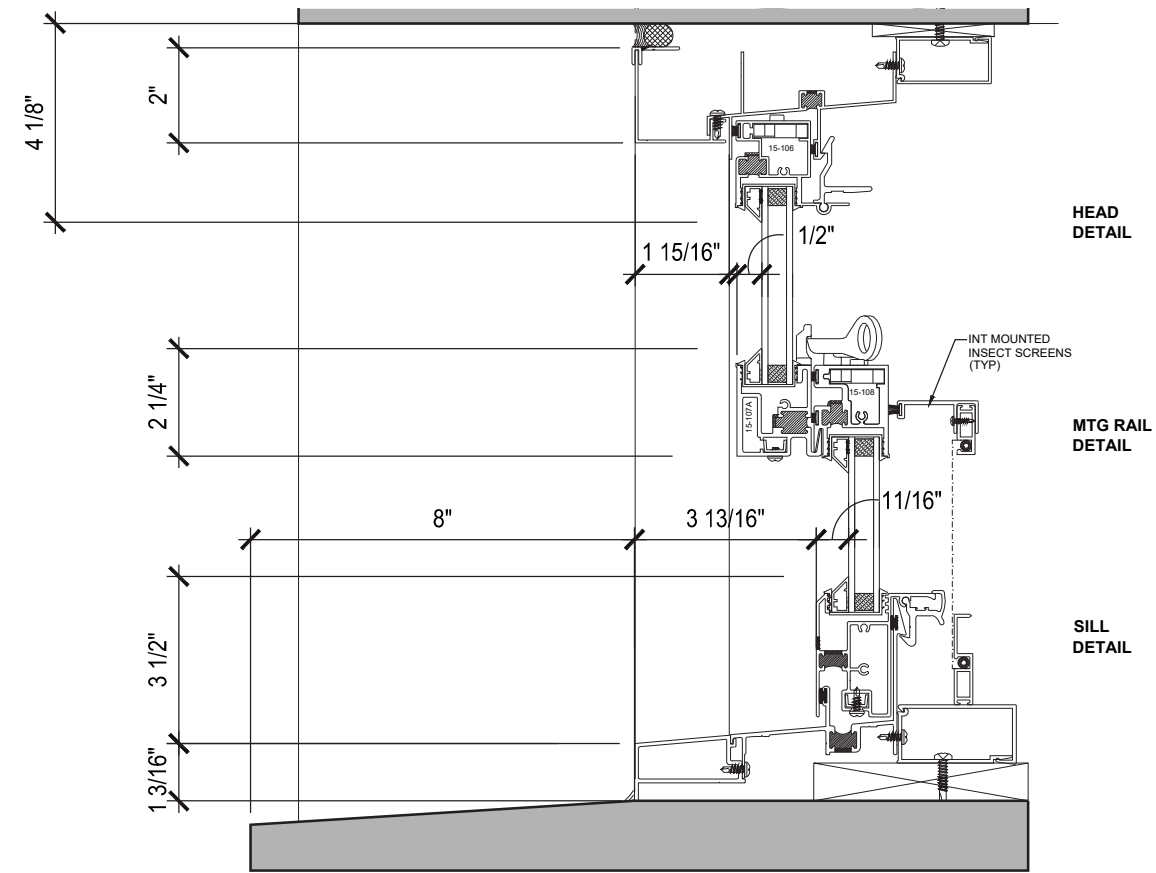
C1 TYPE C1 - WINDOW DETAIL - EXISTING
SCALE: 3" = 1'-0"



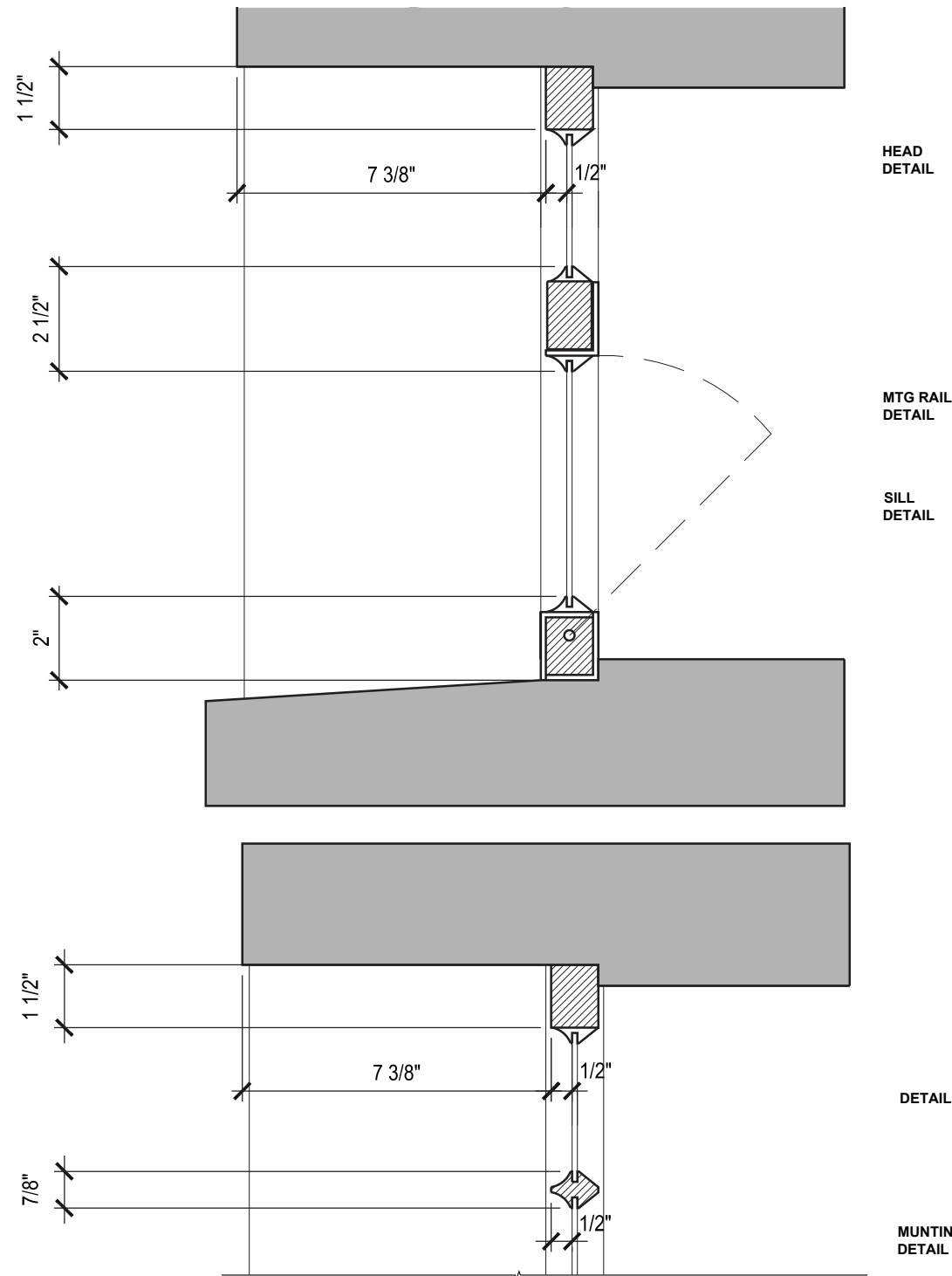
C1 TYPE C1 - WINDOW DETAIL - PROPOSED
SCALE: 3" = 1'-0"



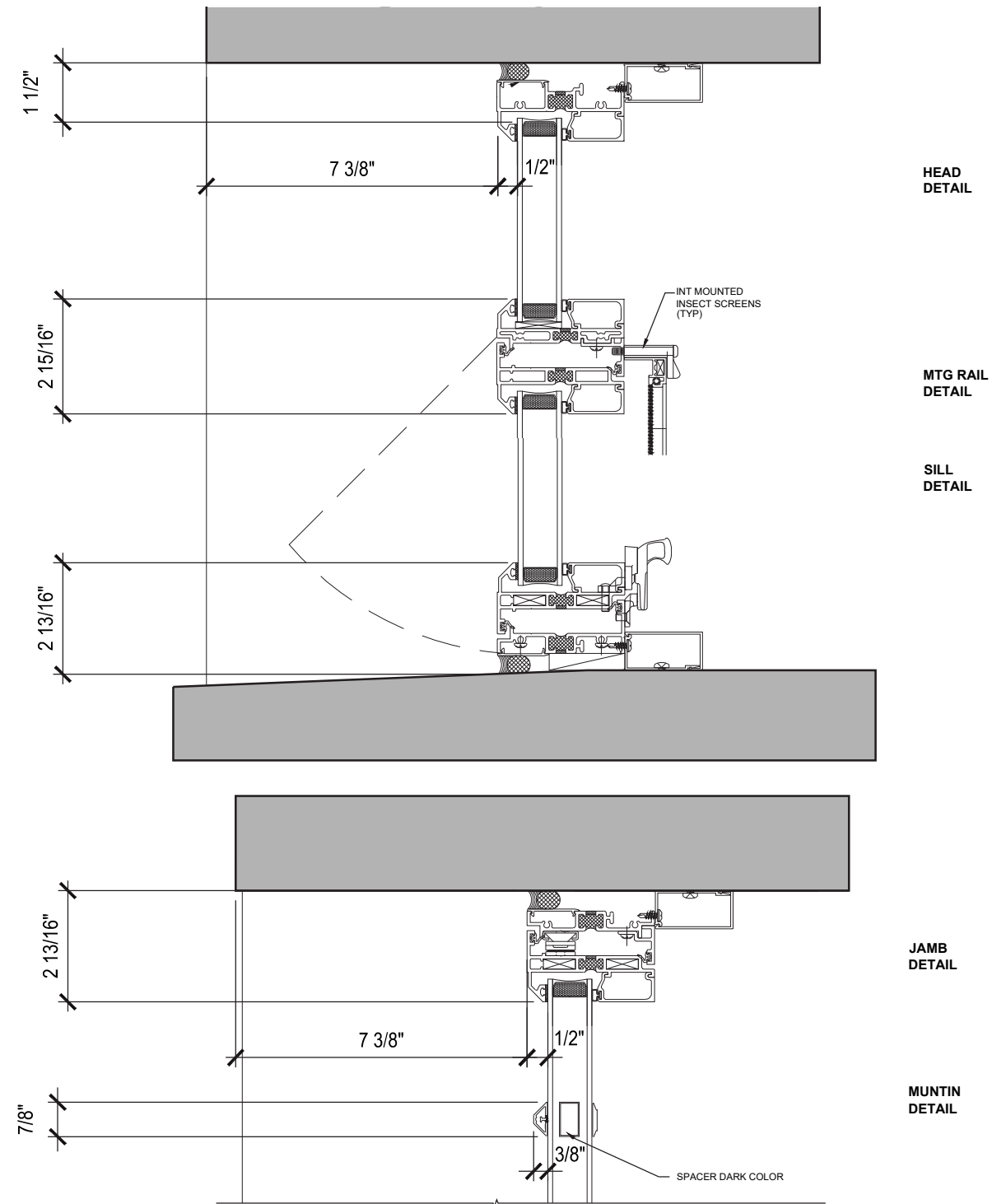
C4 TYPE C4 - WINDOW DETAIL - EXISTING
SCALE: 3" = 1'-0"



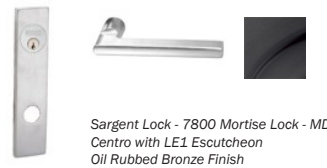
C4 TYPE C4 - WINDOW DETAIL - PROPOSED
SCALE: 3" = 1'-0"



D1 TYPE D1- WINDOW DETAIL - EXISTING
SCALE: 3" = 1'-0"



D1 TYPE D1- WINDOW DETAIL - PROPOSED
SCALE: 3" = 1'-0"



Door Hardware

2) Square aperture recessed downlight over door in soffit



1) 4.5" W by 15" H
Troy Lighting - Ethos LED Outdoor Wall Sconce

LOCATION A

Door Hardware:
Not applicable doors are fixed closed



1) 4.5" W by 15" H
Troy Lighting - Ethos LED Outdoor Wall Sconce

LOCATION B

Door Hardware:
Not applicable door is fixed closed



3) 6" W by 4.9" H
Hubbardton Forge - Twilight Outdoor Semi-Flush - Small Ceiling Light

LOCATION C



Elmes World - Neoism Architectural Door Handles

Door Hardware

4) Wall Sconce Light 8" W by 36" H

LOCATION D



Baldwin - Lakeshore Entrance Trim

Door Hardware



1) 4.5" W by 15" H
Troy Lighting - Ethos LED Outdoor Wall Sconce

LOCATION E



Sargent Lock - 7800 Mortise Lock - MD Centro with LE1 Escutcheon Oil Rubbed Bronze Finish

Door Hardware



5) 9" W by 9" H
Modern Forms - Pandora 9 Inch LED Outdoor Wall Light

LOCATION F:
LED building mounted down lights

2) Square aperture recessed downlight over door in soffit

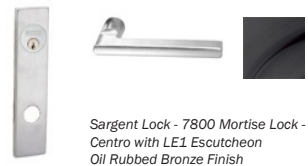
LOCATION G



Ridgeway Lane Elevation



Derne Street Elevation



Sargent Lock - 7800 Mortise Lock - MD
Centro with LE1 Escutcheon
Oil Rubbed Bronze Finish

Door Hardware



Baldwin - Lakeshore Entrance
Trim

Door Hardware



5) 9" W by 9" H
Modern Forms - Pandora 9
Inch LED Outdoor Wall Light

LOCATION H



Teka Illumination - Surface Mounted
Observatory

LOCATION J:
security cameras mounted at building corners

6) 18" high custom pendant light

LOCATION I