

EXHIBIT X-1

SCHEDULE OF APPROVED WIRELESS FACILITIES

<p>Facility Number</p>	<p>X-1 Standard Concrete Light Pole with RRH Concealment</p>
<p>Attachment Types <i>(check all that apply and provide detail below)</i></p>	<p><input checked="" type="checkbox"/> Replacement City Pole (streetlight) <input checked="" type="checkbox"/> Replacement City Property Pole (streetlight) <input type="checkbox"/> Attach to existing City Pole (streetlight) <input type="checkbox"/> Attach to existing City Property Pole (streetlight) <input type="checkbox"/> Attach to existing City Pole (traffic signal) <input type="checkbox"/> Attach to existing City Property Pole (traffic signal) <input type="checkbox"/> Attach to existing City Pole (street furniture) <input type="checkbox"/> Attach to existing City Property Pole (street furniture) <input type="checkbox"/> Attach to Non-City Pole</p>
<p>Attachment Type Detail</p>	<p>Mobilitie Round Hex Pole light pole with RRH concealment <i>(existing or replacement)</i></p>
<p>Physical Description</p>	<p><i>Pole Replacement information for all standard light poles:</i></p> <ul style="list-style-type: none"> • <i>14' existing pole to be replaced with new pole with a max height of 16.8'</i> • <i>19' existing pole to be replaced with new pole with a max height of 22.8'</i> • <i>24' existing pole to be replaced with new pole with a max height of 28.8'</i> • <i>29' existing pole to be replaced with new pole with a max height of 34.8'</i>
<p>Concealment</p>	<p>Antenna with coax connections concealed and painted to match pole. Cables run inside pole. Remote radio head, UE relay, power, and auxiliary equipment concealed within shroud enclosure.</p>

<p>Included Documents</p>	<p><i>The following documents:</i></p> <ul style="list-style-type: none"> A. <i>For each Attachment Type listed or checked above, an engineering drawing of replacement pole or existing pole with attached equipment. The drawing must show the location on the pole where each component of the Wireless Facility is attached or enclosed. Drawings should depict any underground portion of the typical installation for that Attachment Type.</i> B. <i>Photo showing an example of each Attachment Type listed or checked above.</i> C. <i>Photo mockup of each Attachment Type listed or checked above showing the appearance after the Approved Wireless Facility is installed.</i> <p><i>Engineering drawings and photo attachments should reflect the dimensions and characteristics of a representative actual City Pole or City Property Pole of the type to which the Approved Wireless Facility design applies rather than generic examples. Where there is considerable variation among City Poles/City Property Poles of a particular type (e.g. traffic signals), drawings can show a typical installation, provided that equipment volumes and attachment locations will not vary significantly from one installation to the next in ways that are material to the City's interests.</i></p>
<p>RF Compliance Information</p>	<p><input checked="" type="checkbox"/> Facility conforms to information already on file <input type="checkbox"/> RF information attached</p>
<p>Comments</p>	



**EXISTING / PROPOSED
CONDITIONS PLAN**

Approved by

PIC Date

Street Lighting Date



Maverick Corporation
One Westinghouse Plaza, Suite D6,
Boston Massachusetts, 02136



SCOPE OF WORK

- (1) Remove existing Hex concrete pole
- (2) Install new Hex steel light pole with proposed backhaul transport equipment in shroud mounted to pole

REV.NO.	DATE	DESCRIPTION

REVISIONS

Site ID Candidate Letter
XXXXXXXXXX

Cascade ID Candidate Letter
XXXXXXXXXX

ADDRESS
XXXXXXXXXX

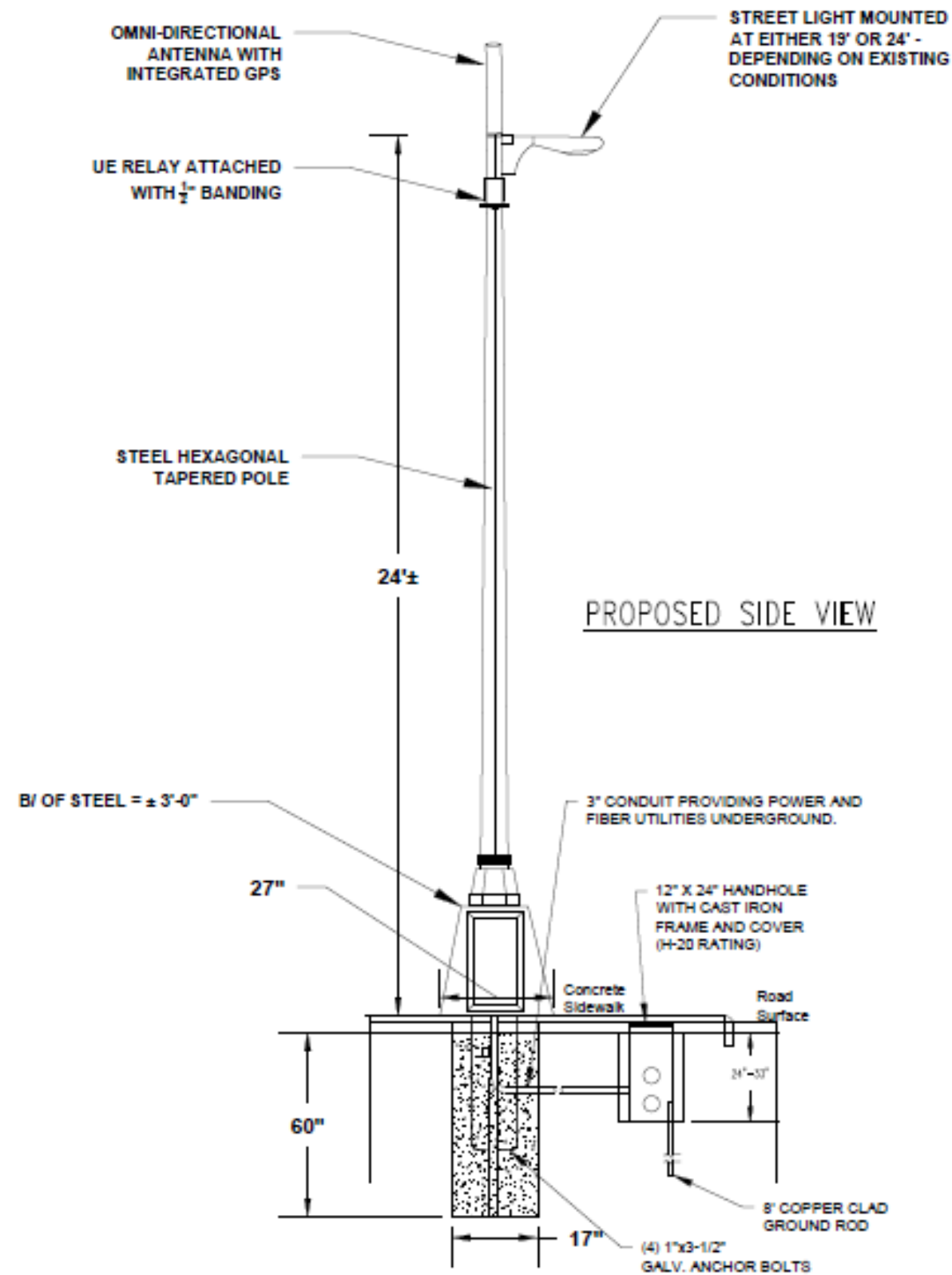
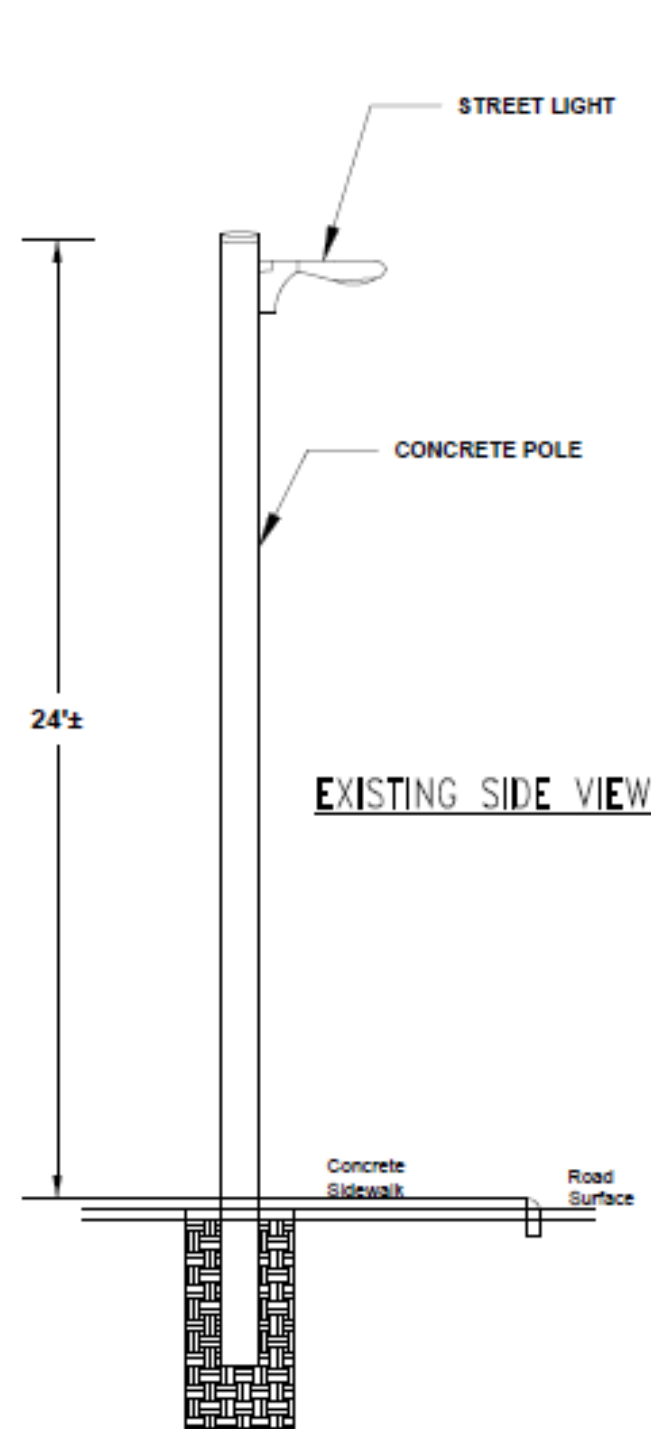
Date XXX

Scale XXX

MAV No. XXX

Project No. XXX

Sheet No. **A1**



**TYPICAL STREET LIGHT ELEVATIONS
N.T.S.**

Approved by:

PIC _____ Date: _____

Street Lighting _____ Date: _____



Maverick Construction Corporation
One Westinghouse Plaza, Building D
Boston, MA 02136



SCOPE OF WORK

- (1) Remove existing concrete pole
- (2) Install new steel light pole with proposed backhaul transport equipment.

REV. NO.	DATE	DESCRIPTION

REVISIONS

Site ID Candidate Letter:

9MAB001574

Cascade ID Candidate Letter:

BS90XSH83D

ADDRESS:

150-168 HEMENWAY ST,
BOSTON

Date: 08-14-2017

Scale: N.T.S.

MAY No.: M98-SM83D

Project No.: 1144-01.059

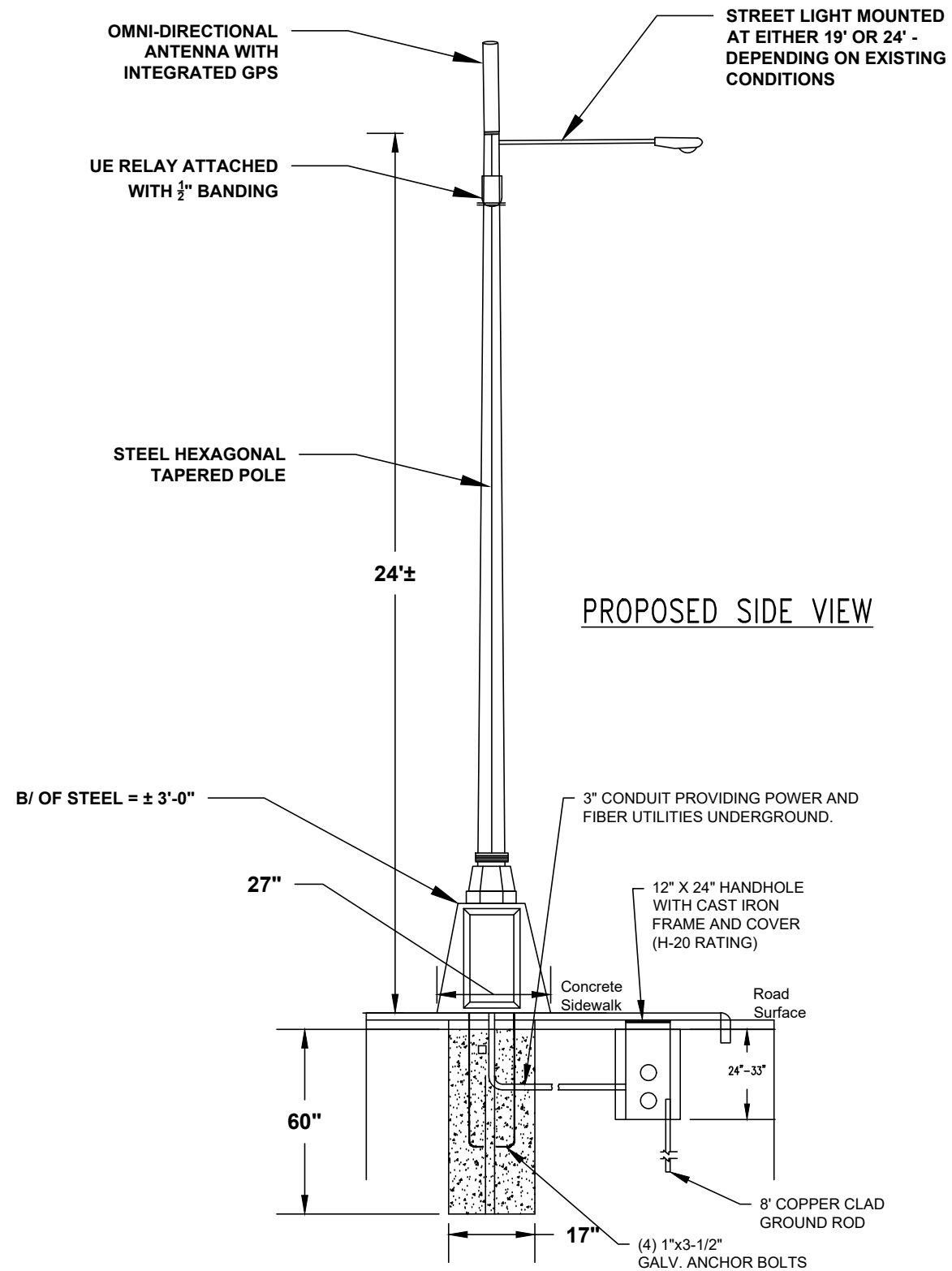
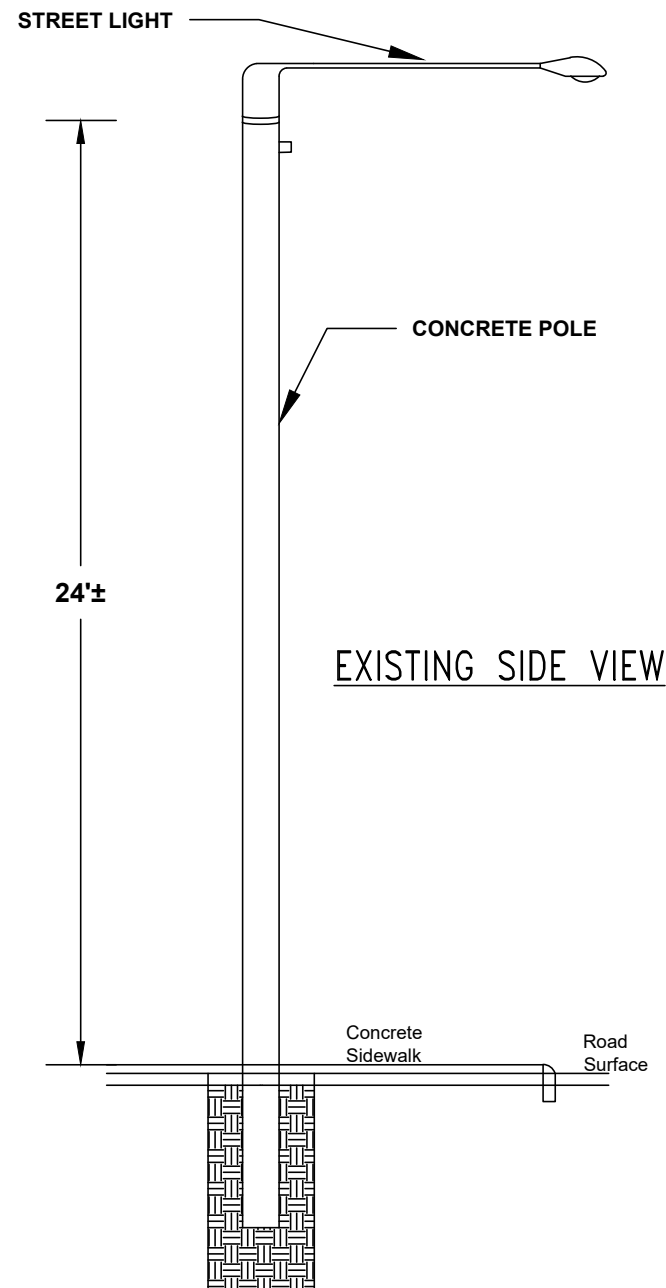
Sheet No.: **A-2**

Hex Pole with Aerieta (existing)



Hex Pole with Aerieta (proposed)





**TYPICAL STREET LIGHT ELEVATIONS
N.T.S.**

Approved by:

PIC _____ Date: _____

Street Lighting _____ Date: _____



Maverick Construction Corporation
One Westinghouse Plaza, Building D
Boston, MA 02136



SCOPE OF WORK

- (1) Remove existing concrete pole
- (2) Install new steel light pole with proposed backhaul transport equipment.

REV. NO.	DATE	DESCRIPTION

REVISIONS

Site ID Candidate Letter:

9MAB001550

Cascade ID Candidate Letter:

BS90XSH58C

ADDRESS:

**15 KNEELAND ST,
BOSTON**

Date: 09-25-2017

Scale: N.T.S.

MAV No.: M122-SH58C

Project No.: 1144-01.057

Sheet No.: **A-2**

Hex Pole with Curved Light Arm (existing)

Hex Pole with Curved Light Arm (proposed)



Hex Pole with Double Cobra (existing)

Hex Pole with Double Cobra (proposed)



Hex Pole with Double Curved Light Arm(existing)

Hex Pole with Double Curved Light Arm (proposed)



Hex Pole with Straight Light Arm (existing)



Hex Pole with Straight Light Arm (proposed)

